

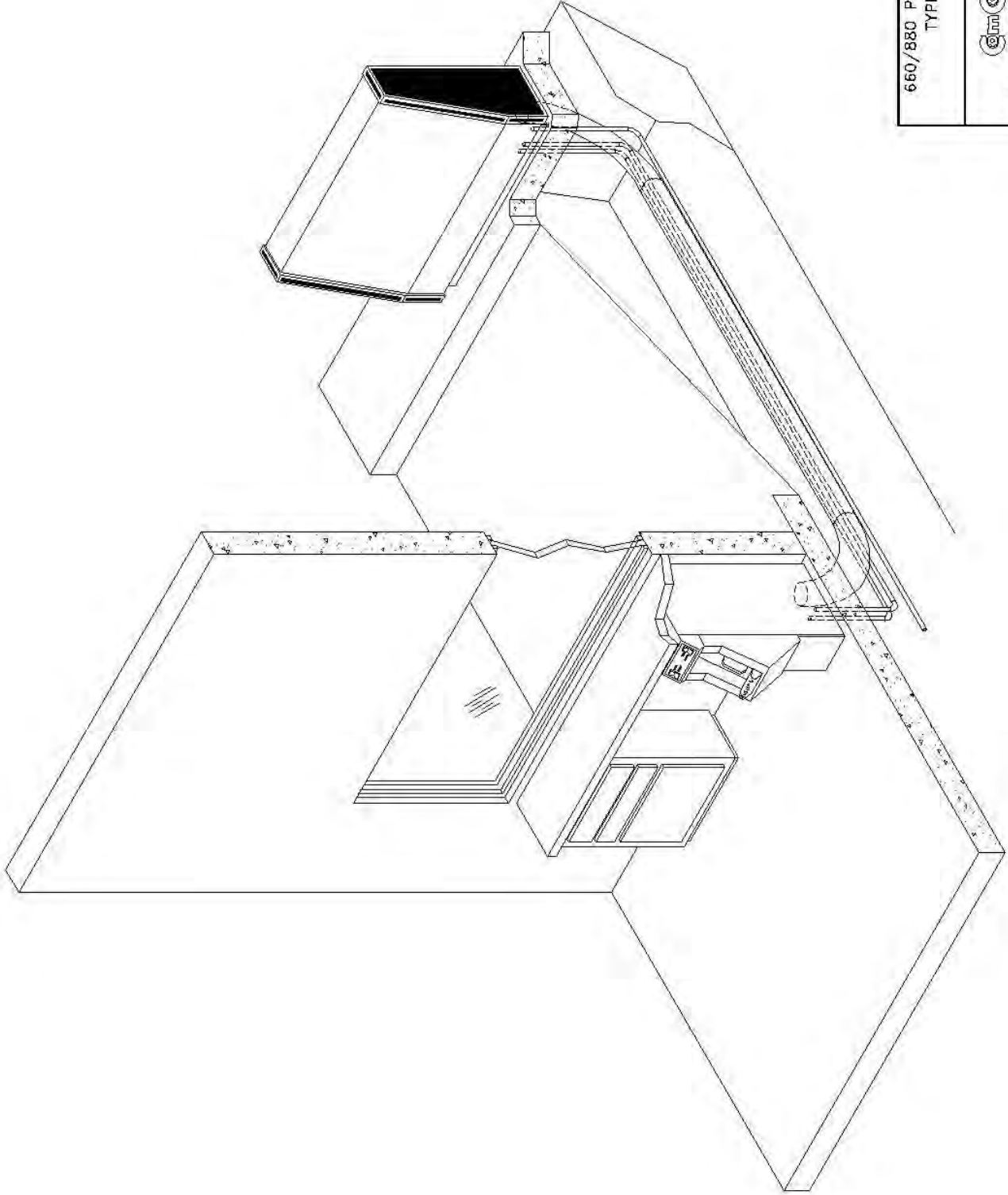
Model 660/880

System Operation and Installation Manual



(800) 533-3794
comcosystems.com

500560
Revision A
06/13/2013



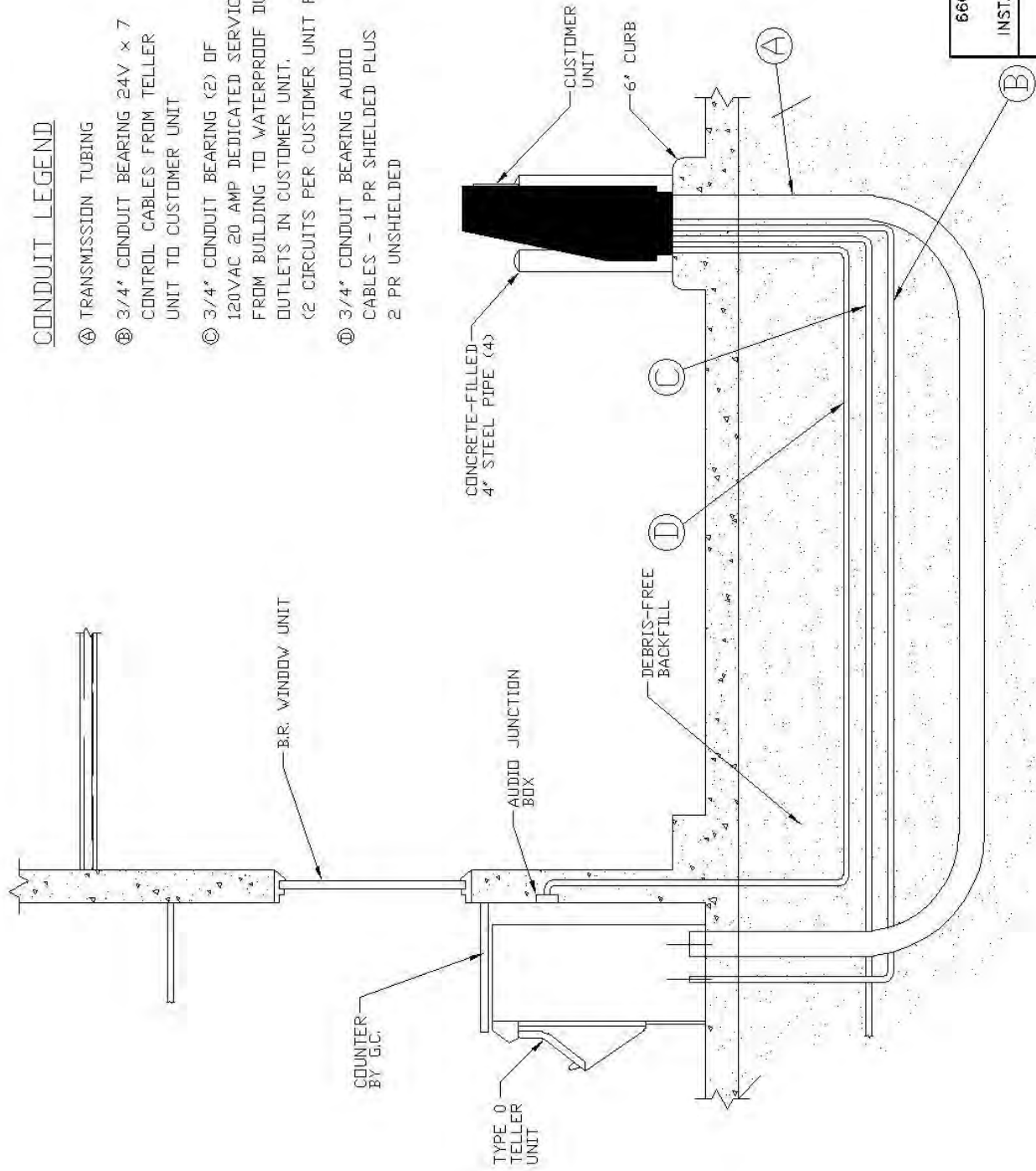
660/880 PNEUMATIC TUBE SYSTEMS
TYPICAL INSTALLATION
-ISO VIEW



11120 INDIAN TRAIL		DALLAS, TEXAS 75229	
DATE	DRAWN BY	APPROVED BY	PROJECT NO.
03-28-97	NTS	EDS	0680024
FILED N:\EXTERNAL\880\0680024.DWG			

CONDUIT LEGEND

- Ⓐ TRANSMISSION TUBING
- Ⓑ 3/4" CONDUIT BEARING 24V x 7 CONTROL CABLES FROM TELLER UNIT TO CUSTOMER UNIT
- Ⓒ 3/4" CONDUIT BEARING (2) OF 120VAC 20 AMP DEDICATED SERVICE FROM BUILDING TO WATERPROOF DUPLEX OUTLETS IN CUSTOMER UNIT. (2 CIRCUITS PER CUSTOMER UNIT REQ.)
- Ⓓ 3/4" CONDUIT BEARING AUDIO CABLES - 1 PR SHIELDED PLUS 2 PR UNSHIELDED



NOTE:
 660 = 4" TUBING
 880 = 4.5" TUBING
 TYPE 0 TELLER UNIT SHOWN

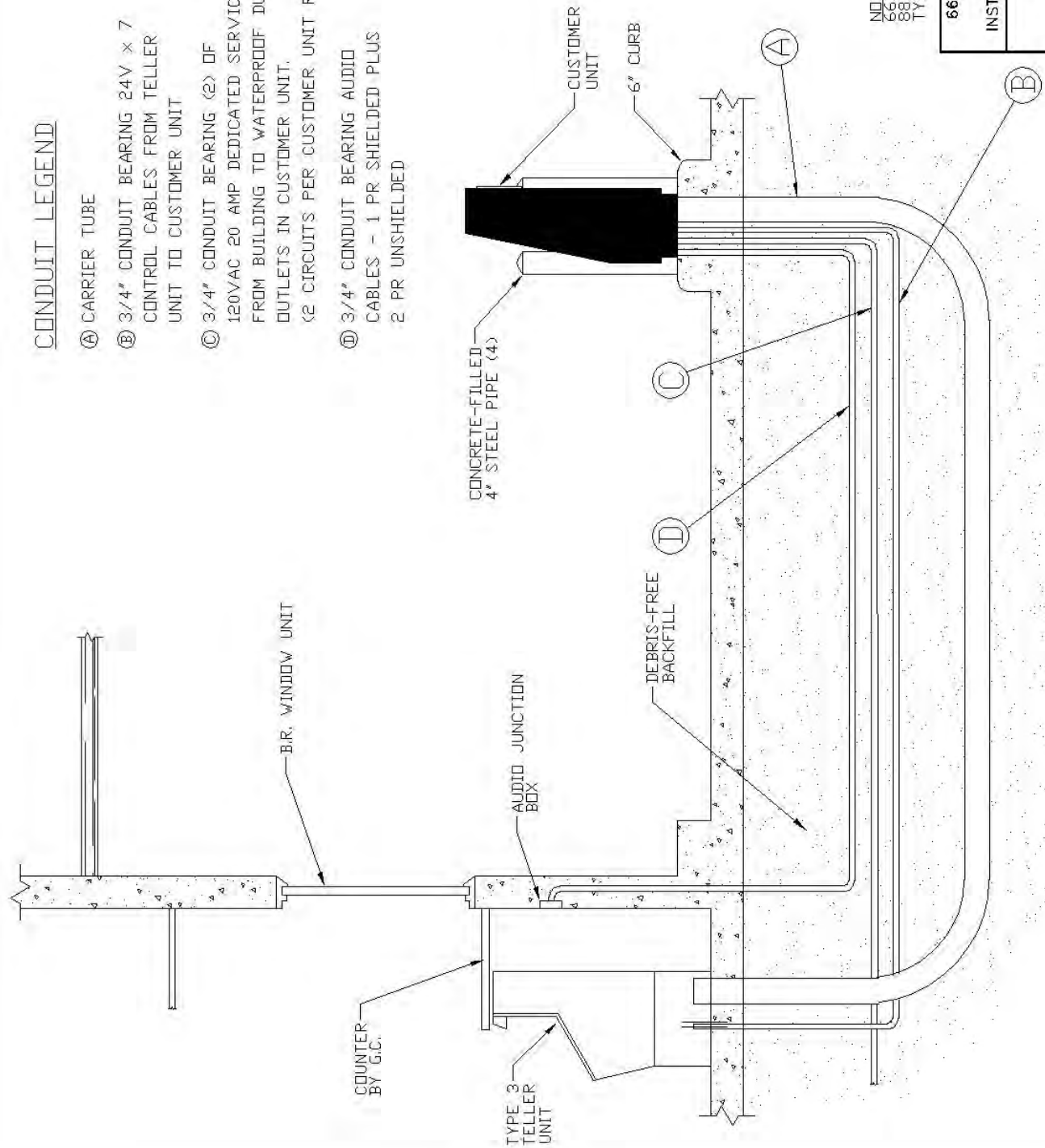
660/880 PNEUMATIC TUBE SYSTEMS
 TYPICAL INSTALLATION
 INSTALLATION RISER/COMPONENT GUIDE

ComCo Systems
 11120 INDIAN TRAIL DALLAS, TEXAS 75229

DATE: 09-14-01	SCALE: NTS	DRAWN BY: BJB	APPROVED BY:
			PROJECT NO: 0680001

CONDUIT LEGEND

- (A) CARRIER TUBE
- (B) 3/4" CONDUIT BEARING 24V x 7 CONTROL CABLES FROM TELLER UNIT TO CUSTOMER UNIT
- (C) 3/4" CONDUIT BEARING (2) OF 120VAC 20 AMP DEDICATED SERVICE FROM BUILDING TO WATERPROOF DUPLEX OUTLETS IN CUSTOMER UNIT. (2 CIRCUITS PER CUSTOMER UNIT REQ.)
- (D) 3/4" CONDUIT BEARING AUDIO CABLES - 1 PR SHIELDED PLUS 2 PR UNSHIELDED



NOTE:
 660 = 4" TUBING
 880 = 4.5" TUBING
 TYPE 3 TELLER UNIT SHOWN

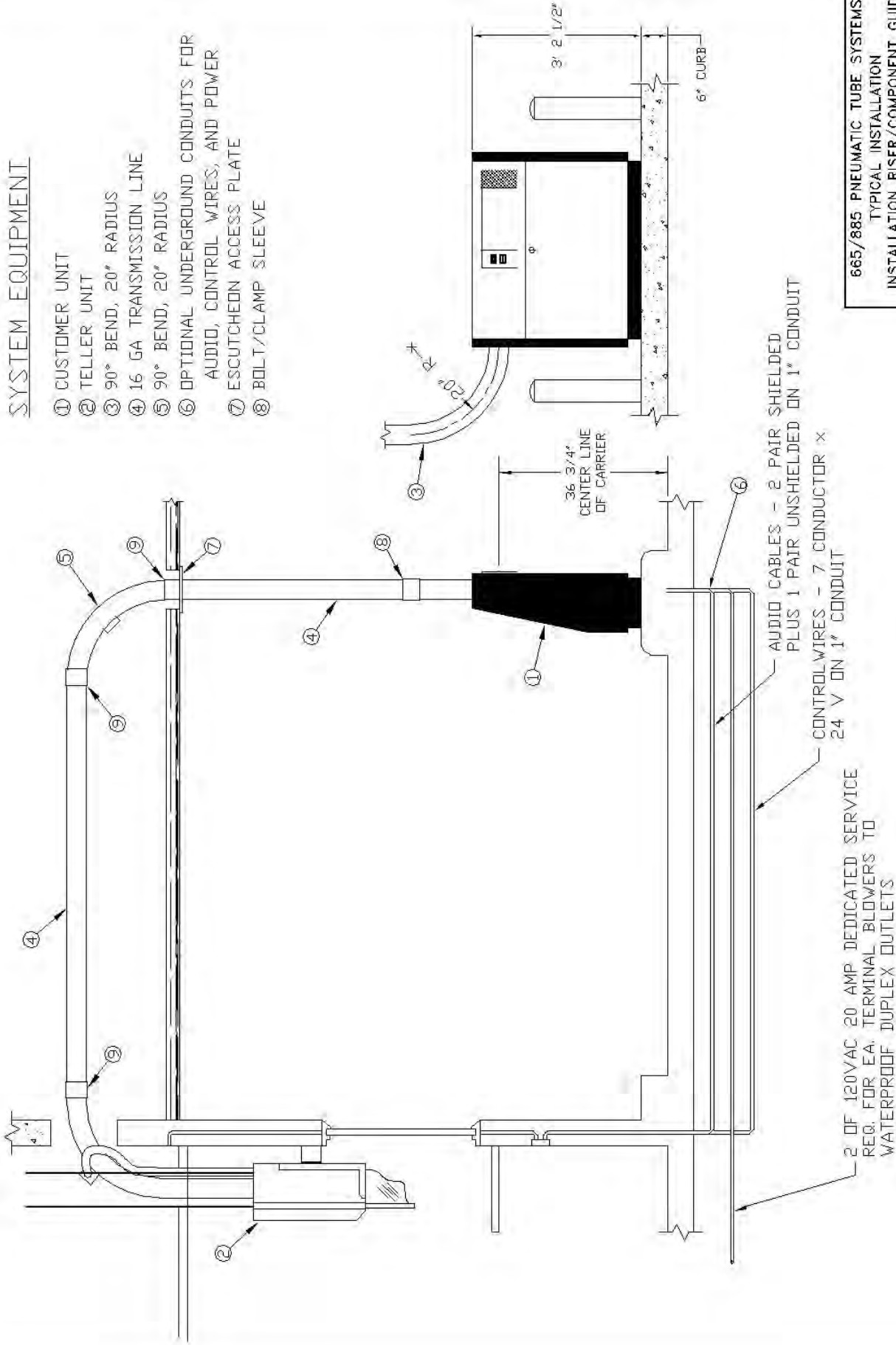
663/883 PNEUMATIC TUBE SYSTEMS
 TYPICAL INSTALLATION
 INSTALLATION RISER/COMPONENT GUIDE

City of Spalding
 11120 INDIAN TRAIL DALLAS, TEXAS 75229

DATE: 09-14-01
 DRAWN BY: NTS
 CHECKED BY: BCB
 APPROVED BY: [Signature]
 DRAWING NO: 06800004

SYSTEM EQUIPMENT

- ① CUSTOMER UNIT
- ② TELLER UNIT
- ③ 90° BEND, 20° RADIUS
- ④ 16 GA TRANSMISSION LINE
- ⑤ 90° BEND, 20° RADIUS
- ⑥ OPTIONAL UNDERGROUND CONDUITS FOR AUDIO, CONTROL WIRES, AND POWER ESCUTCHEON ACCESS PLATE
- ⑧ BOLT/CLAMP SLEEVE



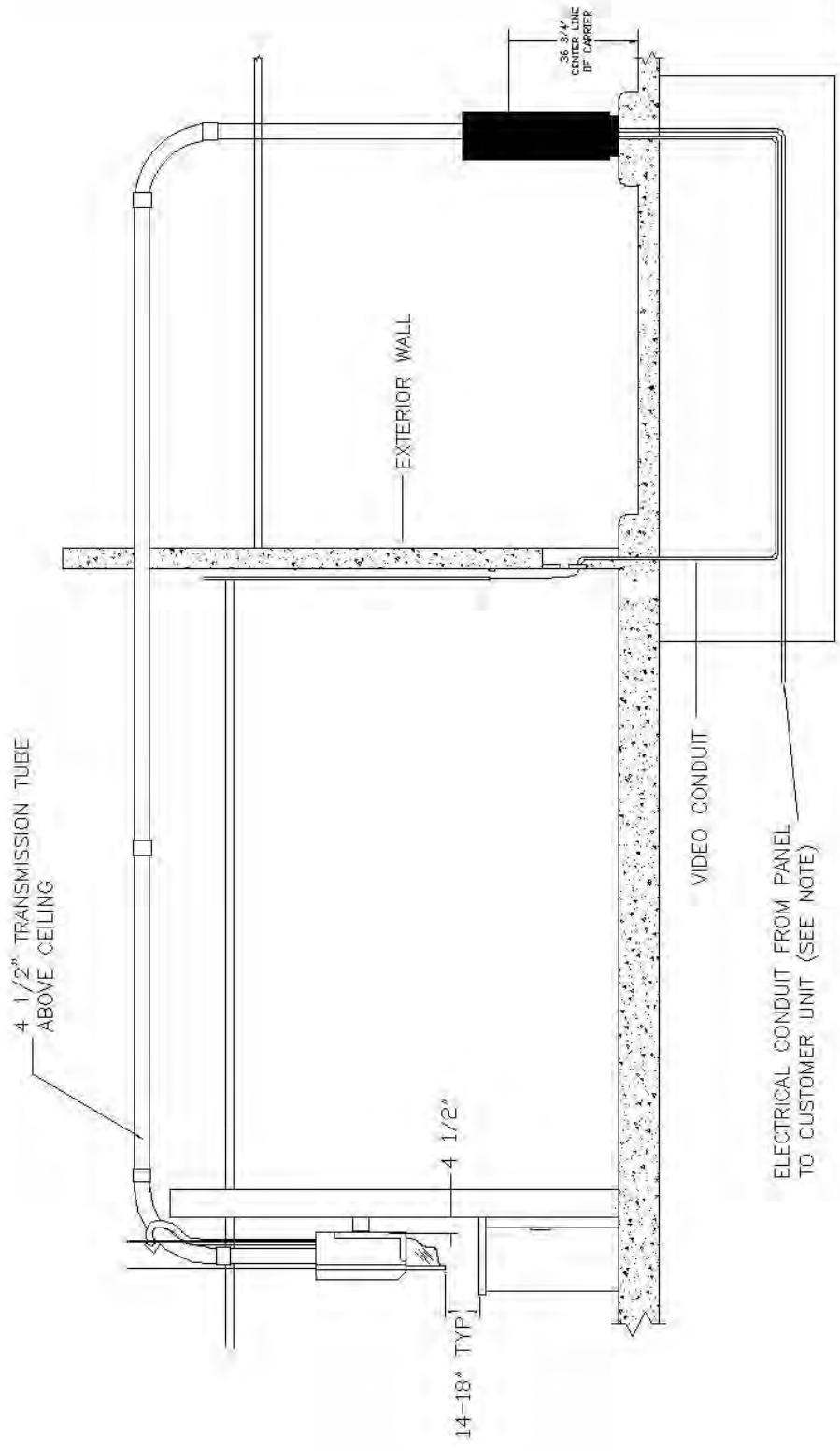
2' OF 120VAC 20 AMP DEDICATED SERVICE REQ. FOR EA. TERMINAL BLOWERS TO WATERPROOF DUPLEX OUTLETS

AUDIO CABLES - 2 PAIR SHIELDED PLUS 1 PAIR UNSHIELDED ON 1" CONDUIT
 CONTROL WIRES - 7 CONDUCTOR x 24 V ON 1" CONDUIT

665/885 PNEUMATIC TUBE SYSTEMS
 TYPICAL INSTALLATION
 INSTALLATION RISER/COMPONENT GUIDE

		DRAWING BY BGB	APPROVED BY BGB
	306 W. OVERLY LAKE DALLAS, TEXAS 75065	DATE: 05-14-01	SCALE: NTS

NOTE: ALL UNDERGROUND CONDUIT OPTIONAL



ELECTRICAL CONDUIT FROM PANEL TO CUSTOMER UNIT (SEE NOTE)

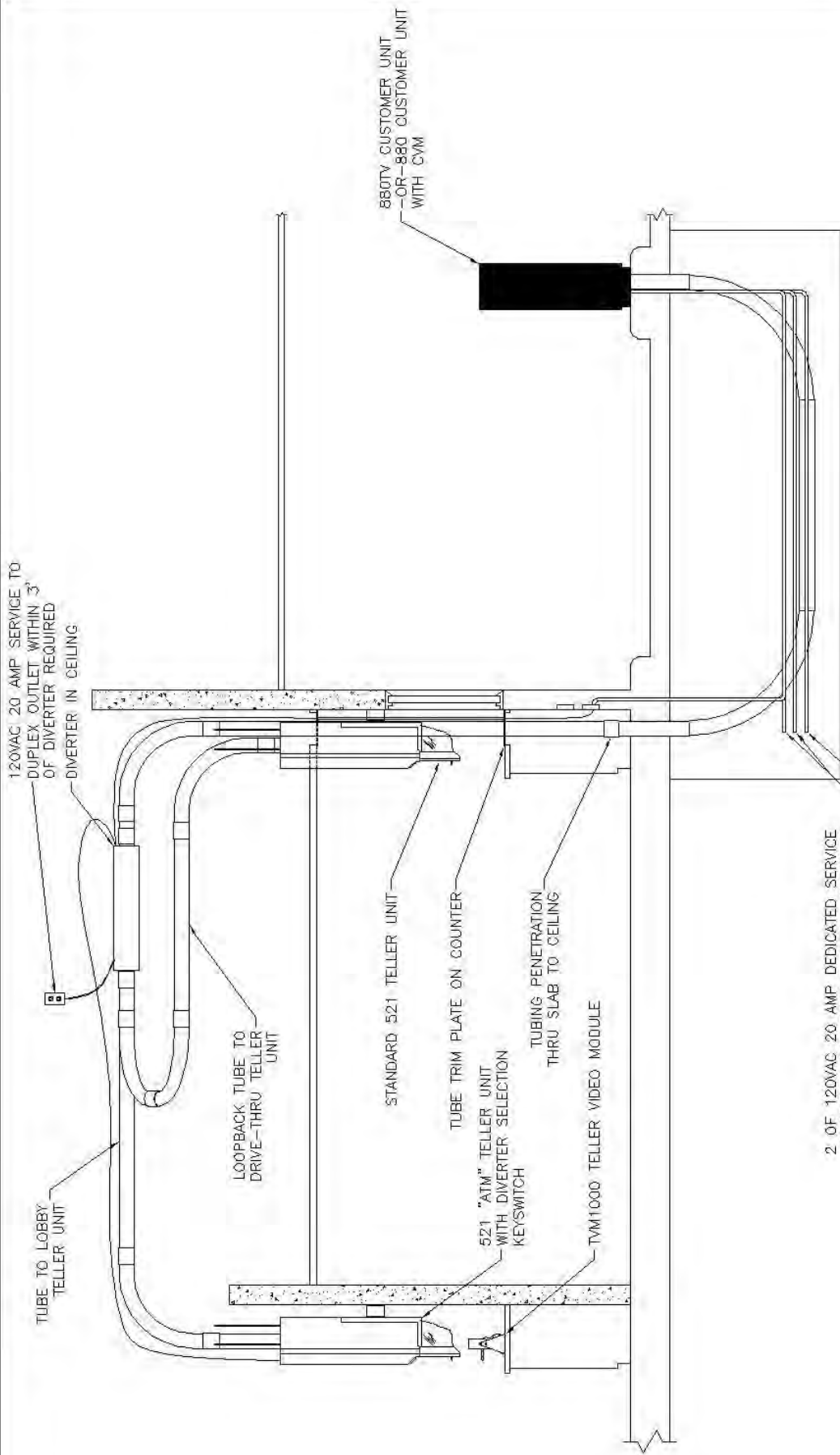
NOTE
 2 OF 120VAC 20 AMP DEDICATED SERVICE REQUIRED FOR EACH TERMINAL-BLOWERS
 1 OF 120VAC 20 AMP DEDICATED SERVICE FOR UP TO FOUR TERMINALS-VIDEO CAMERA AND MONITOR

880TV PNEUMATIC TUBE SYSTEMS
 521 TELLER W/2-WAY VIDEO
 INSTALLATION RISER/COMPONENT GUIDE

Spitznagel
 306 WEST OVERLY DR. LAKE DALLAS, TX 75065

DATE 09-19-2001	SCALE NTS	DRAWN BY BGB	APPROVED BY BGB
--------------------	--------------	-----------------	--------------------

0680062



120VAC 20 AMP SERVICE TO
 DUPLEX OUTLET WITHIN 3'
 OF DIVERTER REQUIRED
 DIVERTER IN CEILING

TUBE TO LOBBY
 TELLER UNIT

LOOPBACK TUBE TO
 DRIVE-THRU TELLER
 UNIT

STANDARD 521 TELLER UNIT

TUBE TRIM PLATE ON COUNTER

521 "ATM" TELLER UNIT
 WITH DIVERTER SELECTION
 KEYSWITCH

TUBING PENETRATION
 THRU SLAB TO CEILING

TM1000 TELLER VIDEO MODULE

880TV CUSTOMER UNIT
 -OR- 880 CUSTOMER UNIT
 WITH CVM

2 OF 120VAC 20 AMP DEDICATED SERVICE
 REQUIRED FOR EACH TERMINAL-BLOWERS
 FROM PANEL TO CUSTOMER UNIT.

1 OF 120VAC 20 AMP DEDICATED SERVICE
 FOR UP TO FOUR TERMINAL-VIDEO CAMERA
 AND MONITOR

MODEL 680 PNEUMATIC TUBE SYSTEMS
 DUAL 521 TELLERS W/2-WAY TV
 INSTALLATION RISER



(800) 533-3794

LAKE DALLAS, TEXAS

DATE	SCALE	DESIGN	APPROVED
05-05-2000	NTS	BGB	
FIELD			BRAND #
EXTERNAL CREATIVE \ 0030			0030

120 VAC 20 AMP DEDICATED CIRCUIT
FOR UP TO FOUR TERMINALS
-TELLER TERMINAL POWER
WITHIN 3 FEET OF UNIT.

4 1/2" TRANSMISSION TUBE
ABOVE CEILING

14-18" TYP

4 1/2"

TYM1000 TELLER VIDEO MODULE

120 VAC 15 AMP DEDICATED CIRCUIT
FOR AUDIO AND VIDEO EQUIPMENT
- ONE PER TELLER CENTER

SEPARATE JBOX WITH CONDUIT & PULL
CORD FOR AUDIO/VIDEO CABLES FROM
THE CUSTOMER KIOSKS

2 OF 3/4" CONDUITS FOR 120VAC
20 AMP DEDICATED SERVICE FROM PANEL
TO CUSTOMER UNIT BLOWERS

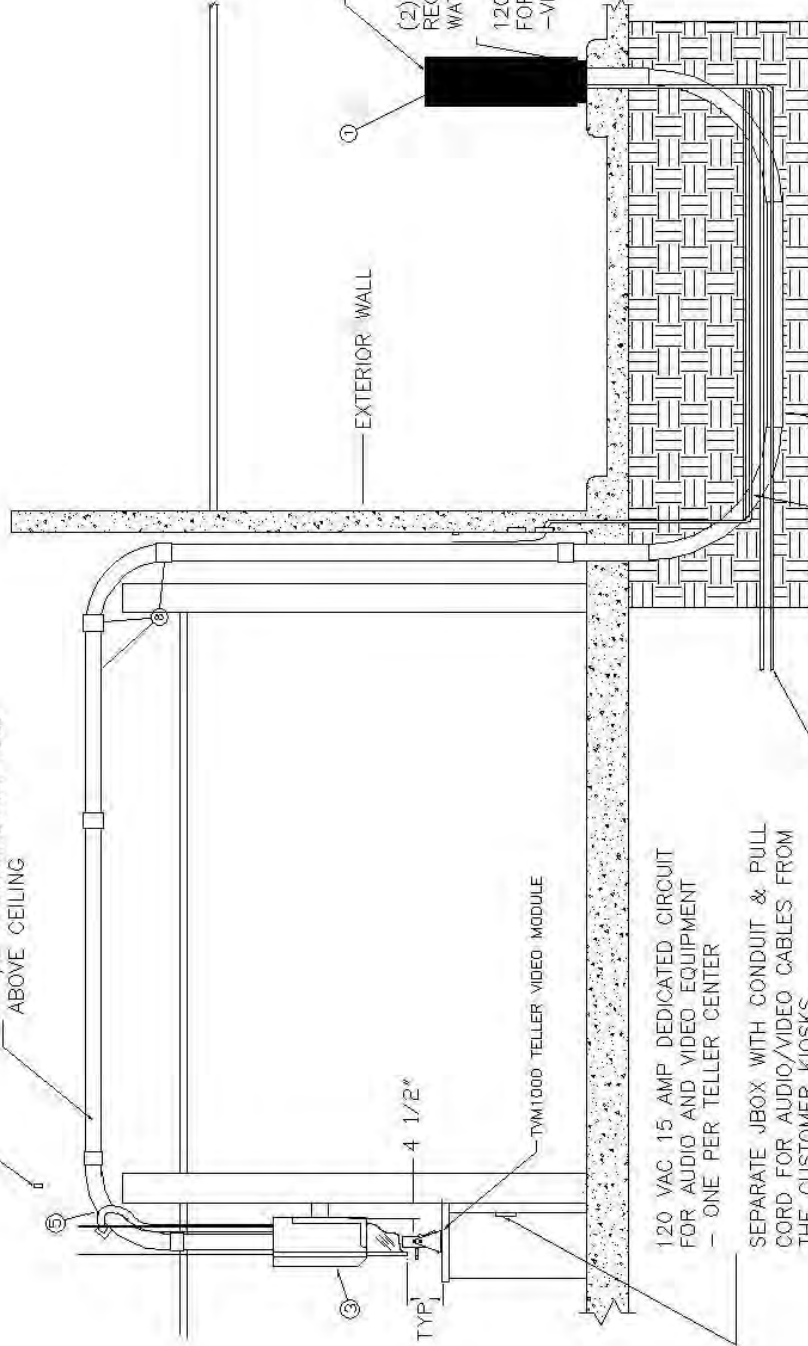
(2) 3/4" VIDEO AND CONTROL
WIRE CONDUIT
REF DWG # 0680041

TRENCH DETAIL
REF DWG # 0680025

880TV WITH 2-WAY CCTV

(2) 120 VAC 20 AMP DEDICATED SERVICE
REQUIRED FOR EACH TERMINAL TO
WATERPROOF DUPLEX OUTLETS-BLOWERS

120 VAC 20 AMP DEDICATED SERVICE
FOR UP TO FOUR TERMINALS
-VIDEO CAMERA & MONITOR



880TV PNEUMATIC TUBE SYSTEMS
521 TELLER W/2-WAY VIDEO
INSTALLATION RISER/COMPONENT GUIDE



306 WEST OVERLY DR. LAKE DALLAS, TX 75065

DWG
09-14-00

SCALE:
NTS

DRAWN BY:
BGB

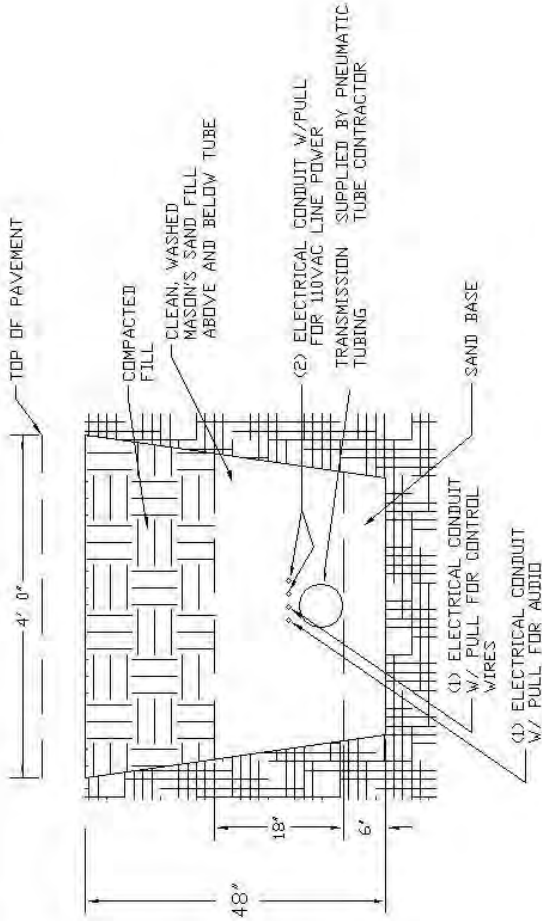
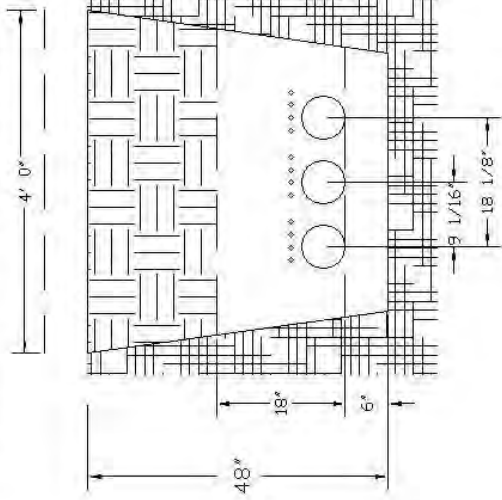
APPROVED BY:

ISSUING #
0680056

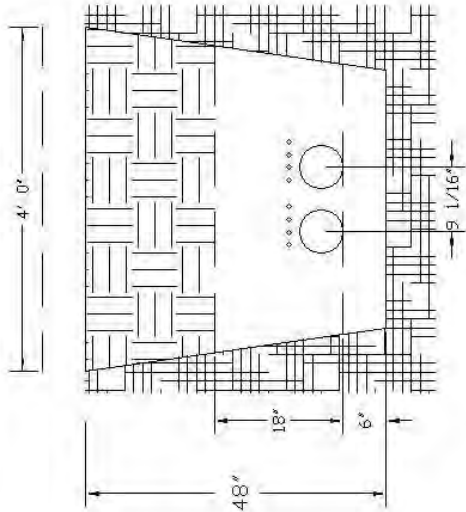
FILE: \EXTERNAL\880\0680056.DWG

09-18-01

THREE TUBE SECTION



TWO TUBE SECTION



- NOTES:
1. TRENCH WORK BY OTHERS.
 2. ALL SAND REQUIRED SUPPLIED BY OTHERS.
 3. ALL ELECTRICAL CONDUIT SUPPLIED BY OTHERS.

- NOTES:
1. WHEN TUBES ARE INSTALLED, PREVENT ANY FOOT TRAFFIC, STAKES, OR MACHINERY FROM COMING INTO CONTACT WITH BURIED TUBING. TUBING WITH DENTS OR DAMAGED MILL WRAP WILL NEED TO BE DUG UP AND BE REPLACED.
 2. COORDINATE TRENCH PREPARATION WITH TUBE INSTALLER. TRENCH NEEDS TO BE PREPARED JUST PRIOR TO INSTALLATION.
 3. ELECTRICAL CONTRACTOR TO PROVIDE PULL BOXES WHEN REQUIRED ON LONG RUNS.
 4. TUBES MUST BE PROTECTED WITH AT LEAST 6" OF SAND ON TOP PRIOR TO BACK FILL. AT LEAST 16" OF CLEAN FILL MUST BE IN TRENCH ON TOP OF SAND PRIOR TO ANY ROCK OR GRAVEL IN TRENCH.
 5. TRENCH PREPARATION AND BACK FILL MUST BE COORDINATED BY TUBE INSTALLER. TRENCH SHOULD NOT BE OPEN MORE THAN 1 DAY PRIOR TO SCHEDULED INSTALLATION, AND 6" OF SAND SHOULD BE IN TRENCH WITH ALL FILL MATERIALS ON SITE READY FOR FILL. ELECTRICIAN TO WORK ALONG WITH TUBE INSTALLER SO THAT TRENCH MAY BE FILLED UPON COMPLETION OF FIELD TEST (VISUAL INSPECTION, PRESSURE TEST AND TRANSMISSION TEST)

660/880 PNEUMATIC TUBE SYSTEMS
TYPICAL INSTALLATION DETAILS
MULTIPLE-TUBE TRENCH SECTIONS



11120 INDIAN TRAIL
DALLAS, TEXAS 75229

DATE 10-9-17-01	SCALE NTS	DRAWN BY BGB	APPROVED BY [Signature]
			PROJECT NO. 0680025

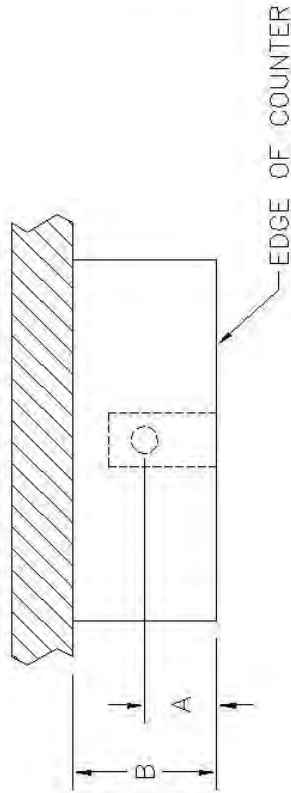
TELLER UNIT

A

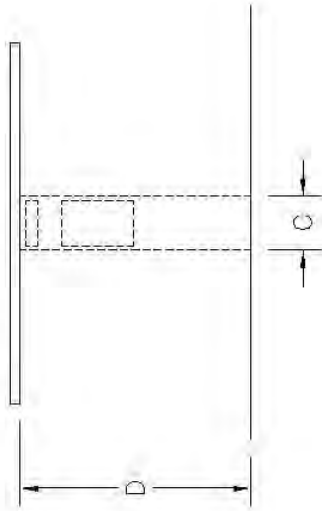
B

C

D



LIST ALL TELLER UNITS PRESENT AT JOB SITE (INCLUDE TELLER UNITS NOT BEING REPLACED)



CUSTOMER UNIT

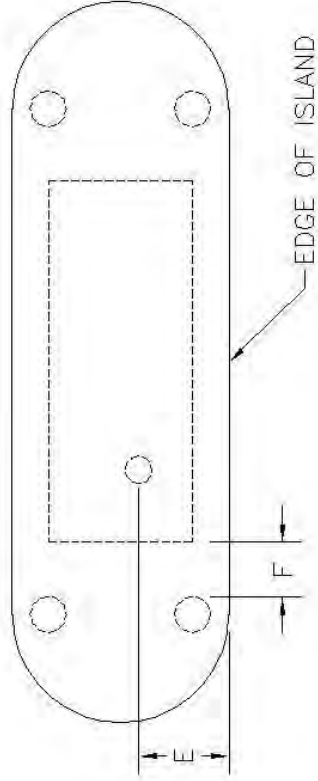
E

F

MAKE

MODEL

TUBE DIA.



TRAFFIC FLOW

PLEASE NOTE

* IF SYSTEM HAS TWIN TUBES, MEASURE BOTH TUBES FOR DIMENSION E

* IF BOLLARDS OR COLUMNS ARE PRESENT, PROVIDE F DIMENSION

* DRAW IN ANY OTHER RELEVANT DIMENSIONS AND DESCRIBE IN PROVIDED NOTES SECTION

NOTES

MODEL 680 PNEUMATIC TUBE SYSTEMS UNDERGROUND RETROFIT QUESTIONNAIRE

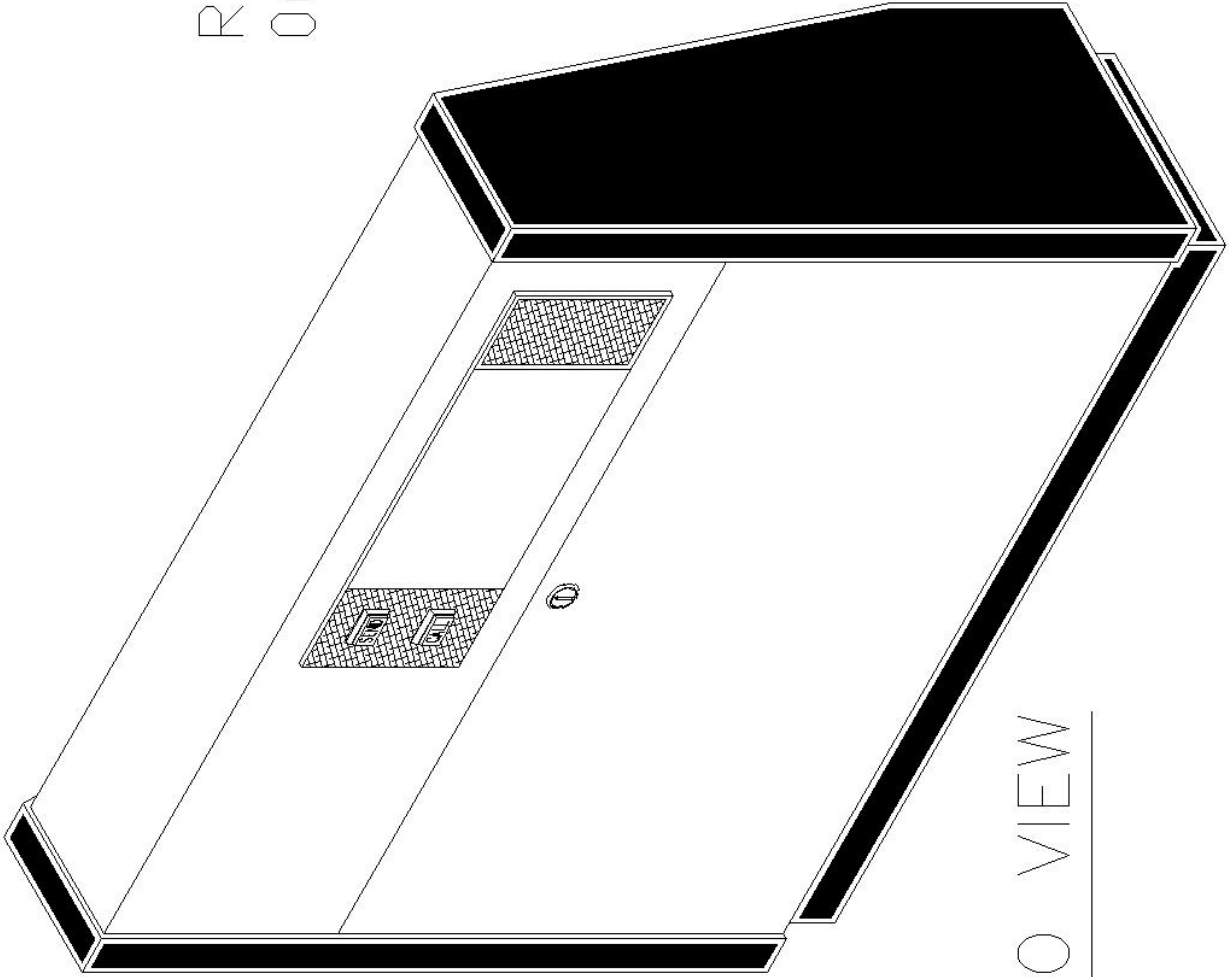
(800) 533-3794 LAKE DALLAS, TEXAS

DATE: 06-14-2000 SCALE: NTS DRAWING #: 0680053

BY: *Spina* APPROVED: EOS

FILE: \EXTERNAL\680\

REF. DWG. #
0680035



-ISO VIEW

THIS DOCUMENT IS THE PROPERTY OF COMCO SYSTEMS AND ITS USE IS AUTHORIZED ONLY FOR RESPONDING TO A REQUEST FOR DESIGN OR SUBMITTAL OF TUBE SYSTEMS AND ITS COMPONENTS AND IS NOT FOR CONSTRUCTION OR DISTRIBUTION. COMCO SYSTEMS COMPONENTS REPRESENTED IN THIS DOCUMENT ARE PROTECTED BY ONE OR MORE OF THE FOLLOWING PATENTS: DES272076, 4180354, 4971481, 4984939, 5584613, 6039510, 6592302B2. OTHER PATENTS PENDING.

660/880 PNEUMATIC TUBE SYSTEMS
STANDARD CUSTOMER UNIT
-ISO VIEW

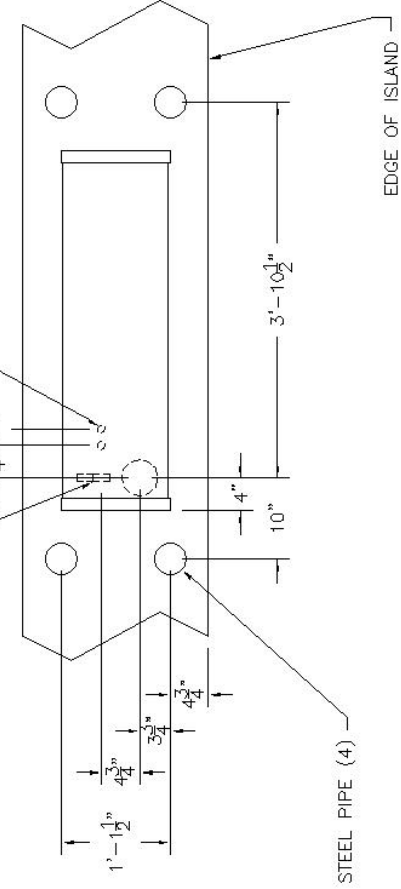


(800) 533-3794 LAKE DALLAS, TEXAS

DATE	SCALE	TRAVEL	APPROVED	DRAWING #
09-18-96	NTS	EOS		06800006

FILED EXTERNAL\880\06800006

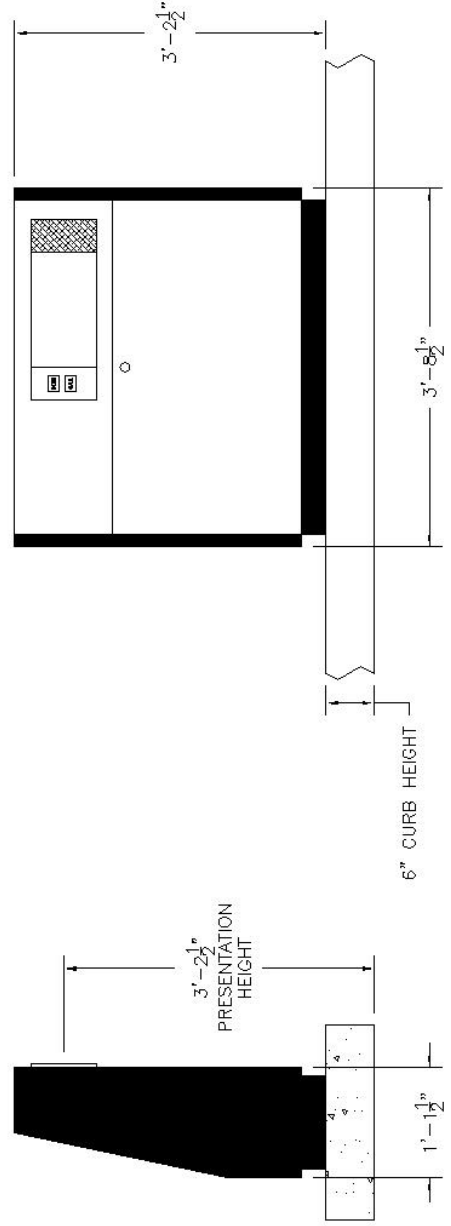
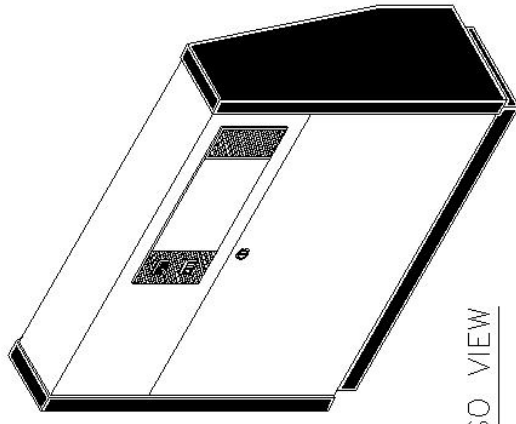
2 OF 120VAC 20 AMP DEDICATED CIRCUIT TO WATERPROOF DUPLEX OUTLETS FOR EACH TERMINAL BLOWERS
 (1) 1" CONDUIT FOR AUDIO AND (1) 1" CONDUIT FOR CONTROL WIRE TO TELLER AREA



CONCRETE-FILLED 4" STEEL PIPE (4)

UNIT SHOWN IS STANDARD (RIGHT) OPPOSITE (LEFT) IS AVAILABLE

- ISO VIEW



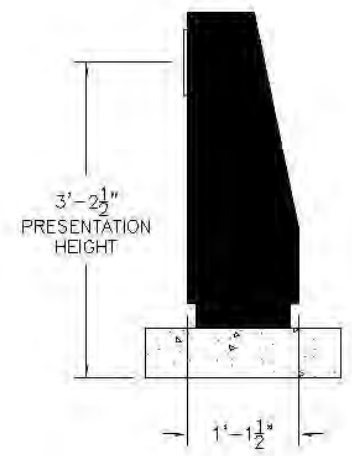
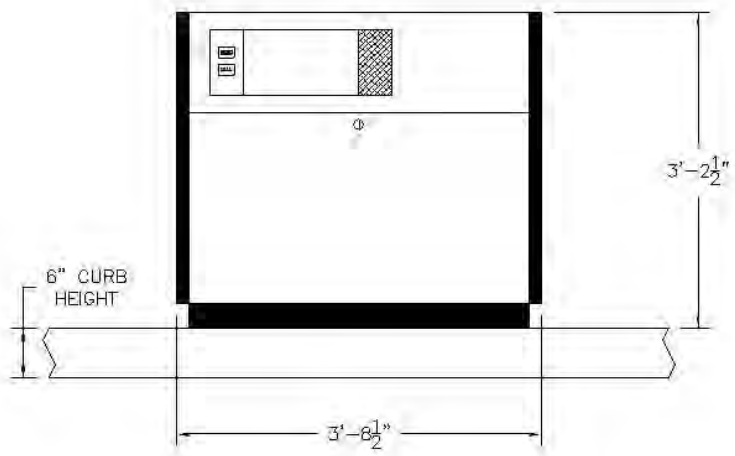
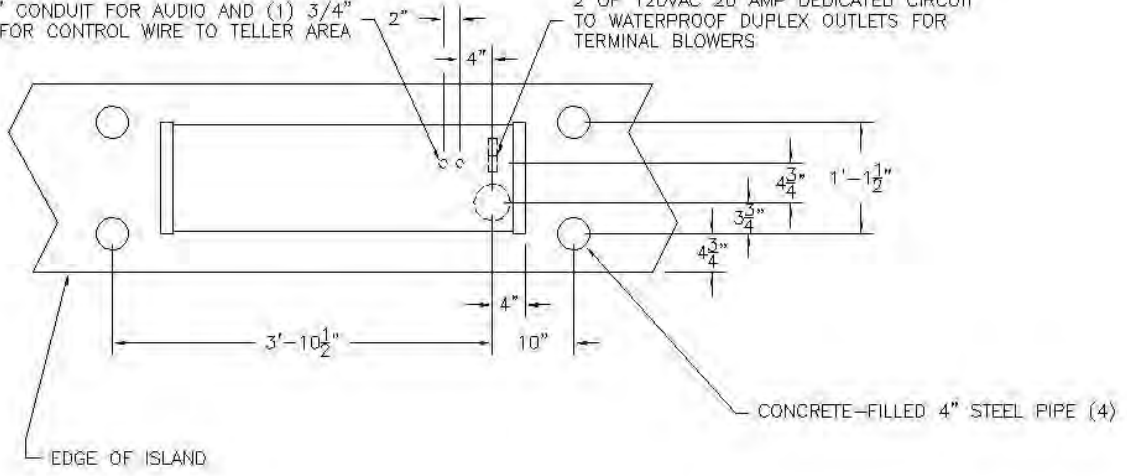
THIS DOCUMENT IS THE PROPERTY OF COMCO SYSTEMS AND ITS USE IS AUTHORIZED ONLY FOR RESPONDING TO A REQUEST FOR DESIGN OR SUBMITTAL OF TUBE SYSTEMS AND ITS COMPONENTS AND IS NOT FOR CONSTRUCTION OR DISTRIBUTION. COMCO SYSTEMS COMPONENTS REPRESENTED IN THIS DOCUMENT ARE PROTECTED BY ONE OR MORE OF THE FOLLOWING PATENTS: DES272076, 4180354, 4971481, 4984939, 5584613, 6039510, 6592302B2. OTHER PATENT'S PENDING

660/880 PNEUMATIC TUBE SYSTEMS
 STANDARD CUSTOMER UNIT
 (4.0 OR 4.5)

		LAKE DALLAS, TEXAS	
		(800) 533-3794	
DATE:	SCALE:	DRAWN:	APPROVED:
7-22-98	NTS	EOS	06800035
FILE:			06800035
EXTERNAL\880\06800035			

(1) 3/4" CONDUIT FOR AUDIO AND (1) 3/4" CONDUIT FOR CONTROL WIRE TO TELLER AREA

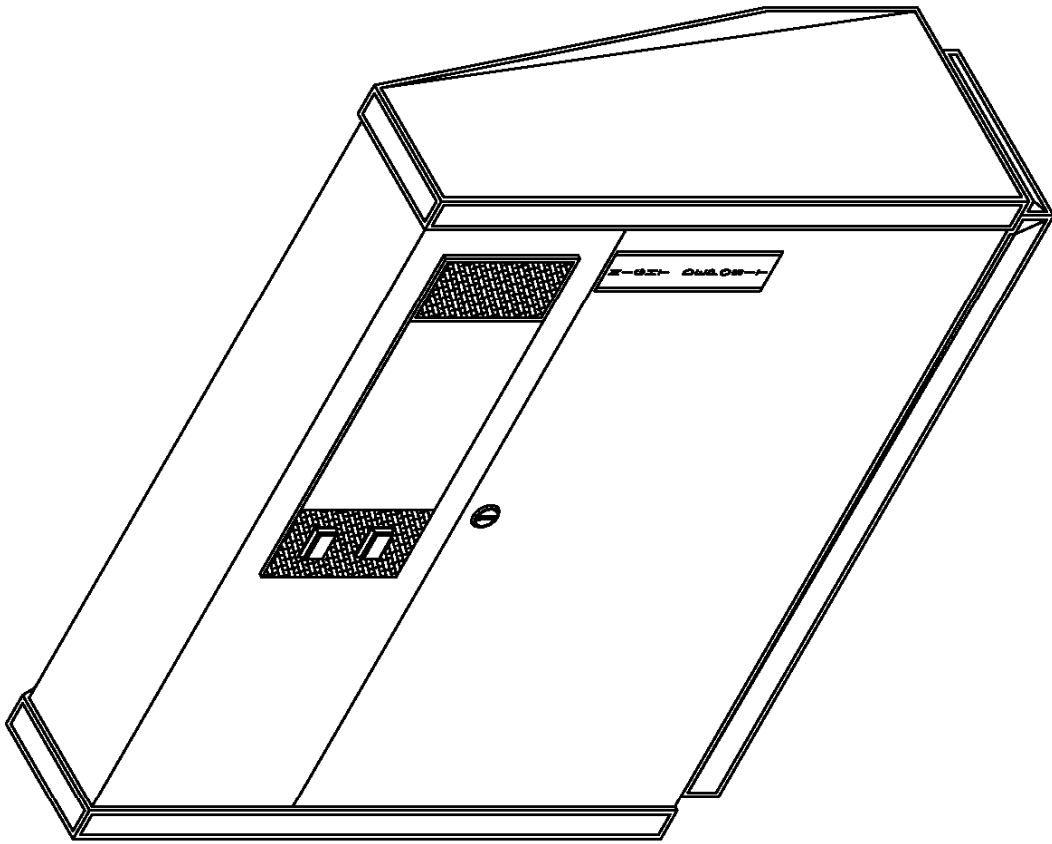
2 OF 120VAC 20 AMP DEDICATED CIRCUIT TO WATERPROOF DUPLEX OUTLETS FOR TERMINAL BLOWERS



660/880 PNEUMATIC TUBE SYSTEMS
LEFT-HAND CUSTOMER UNIT (4.0 OR 4.5)
DETAILS


Com Systems
(800) 533-3794 LAKE DALLAS, TEXAS

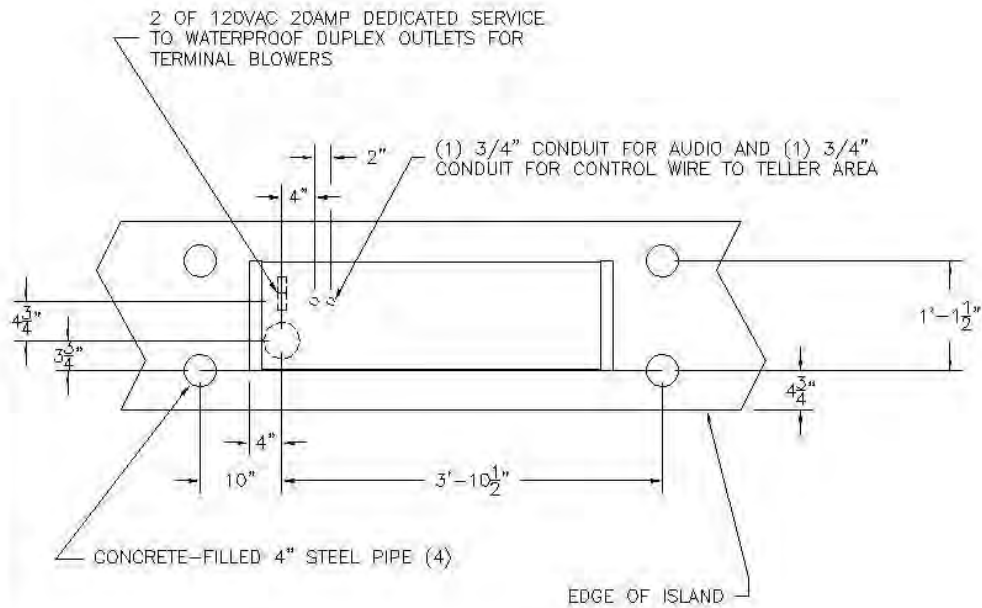
DATE: 04-25-2000	SCALE: NTS	DRAWN BY: ECS	APPROVED BY:	DRAWING #: 0680052
FILED \\EXTERNAL\880\				



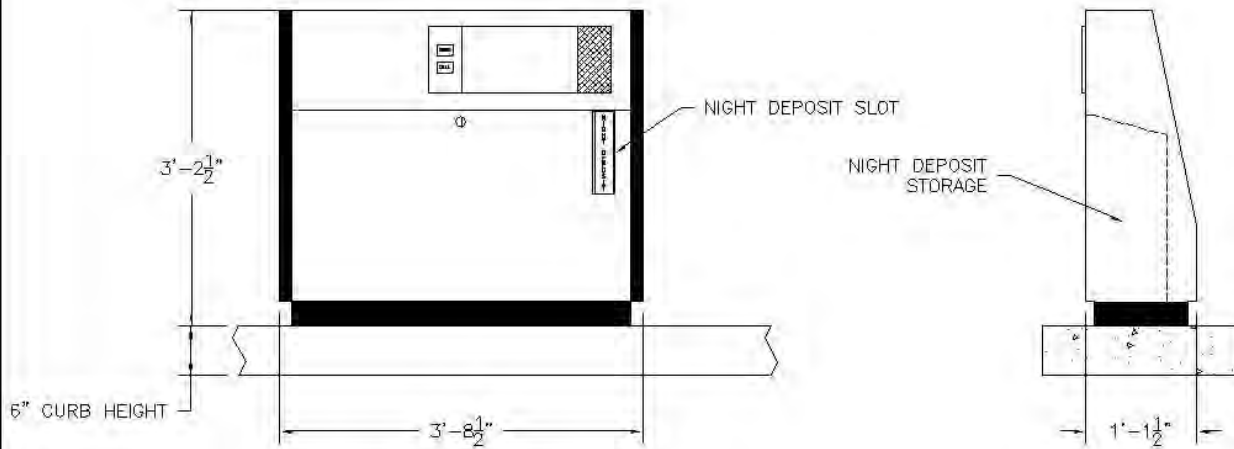
THIS DOCUMENT IS THE PROPERTY OF COMCO SYSTEMS AND ITS USE IS AUTHORIZED ONLY FOR RESPONDING TO A REQUEST FOR DESIGN OR SUBMITTAL OF TUBE SYSTEMS AND ITS COMPONENTS AND IS NOT FOR CONSTRUCTION OR DISTRIBUTION. COMCO SYSTEMS COMPONENTS REPRESENTED IN THIS DOCUMENT ARE PROTECTED BY ONE OR MORE OF THE FOLLOWING PATENTS, DES 272076, 4180354, 4971481, 4984939, 5584613, 6039510, 6592302B2. OTHER PATENTS PENDING

660/880 PNEUMATIC TUBE SYSTEMS
STANDARD CUSTOMER UNIT w/NIGHT
DEPOSIT SLOT-ISO VIEW


 LAKE DALLAS, TEXAS
 (800) 533-3784
 DATE: 03-21-00 NTS: EDS: DRAWING #: 06600050
 FILE: \EXTERNAL\880\06600050



UNIT SHOWN IS STANDARD (RIGHT)
OPPOSITE (LEFT) IS AVAILABLE



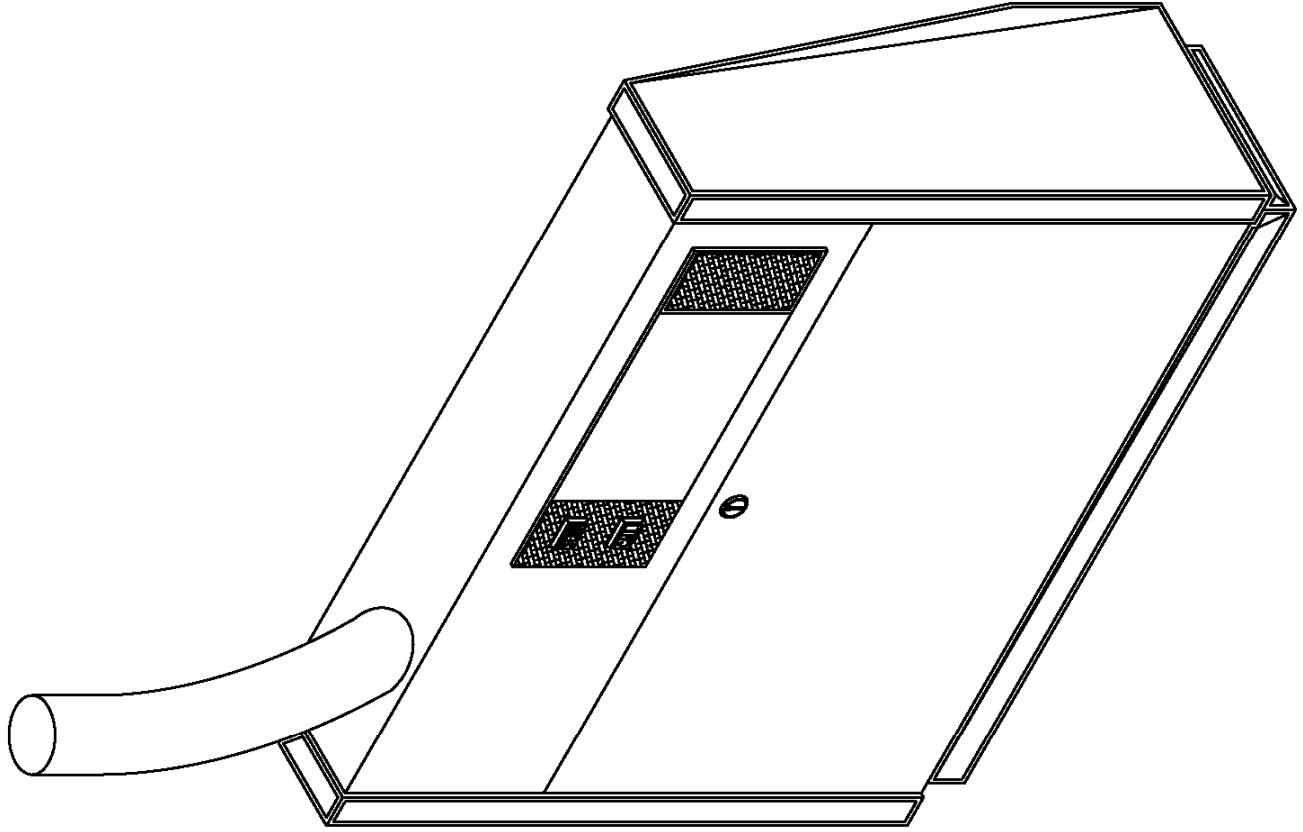
660/880 PNEUMATIC TUBE SYSTEMS
STANDARD CUSTOMER UNIT (4.0 OR 4.5)
W/ NIGHT DEPOSIT-DETAILS

CnC Systems

306 W. OVERLY LAKE DALLAS, TX 75065

DATE 03-21-00	SCALE NTS	DRAWN BY BGB	APPROVED BY	DRAWING # 0680051
------------------	--------------	-----------------	-------------	----------------------

FILE
\\EXTERNAL\880\0680051.DWG



THIS DOCUMENT IS THE PROPERTY OF COMCO SYSTEMS AND ITS USE IS AUTHORIZED ONLY FOR RESPONDING TO A REQUEST FOR DESIGN OR SUBMITTAL OF TUBE SYSTEMS AND ITS COMPONENTS AND IS NOT FOR CONSTRUCTION OR DISTRIBUTION. COMCO SYSTEMS COMPONENTS REPRESENTED IN THIS DOCUMENT ARE PROTECTED BY ONE OR MORE OF THE FOLLOWING PATENTS, DES272076, 4180354, 4971481, 4984939, 5584613, 6039510, 6592302B2. OTHER PATENTS PENDING

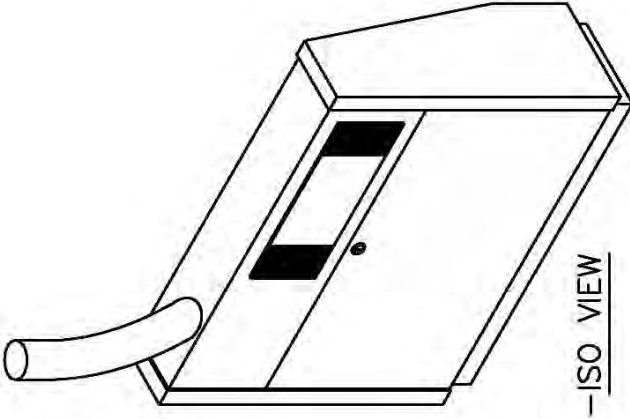
660/880 PNEUMATIC TUBE SYSTEMS
OVERHEAD CUSTOMER UNIT
-ISO VIEW



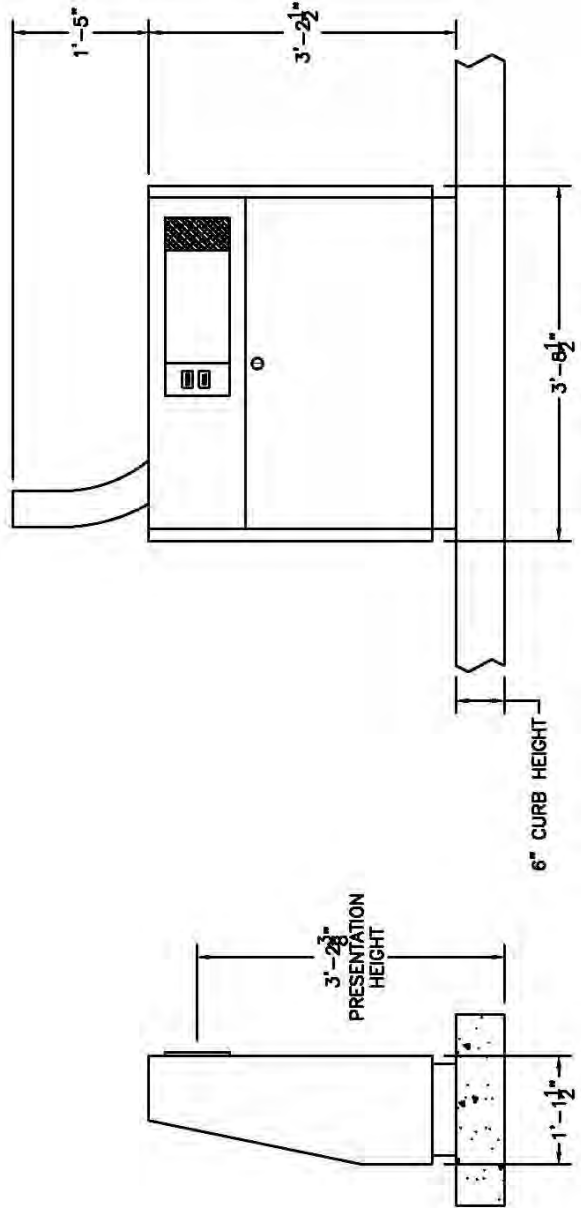
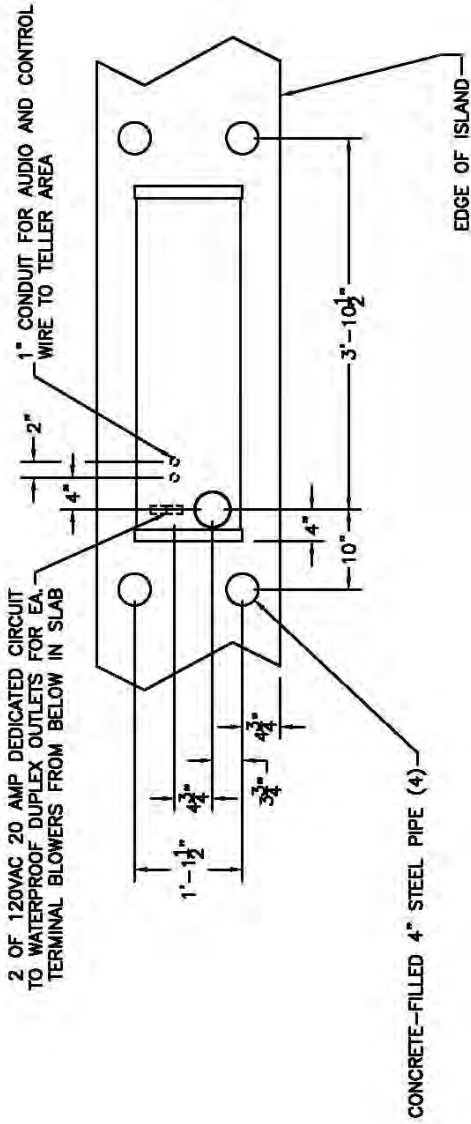
(800) 533-3784 LAKE DALLAS, TEXAS

REV	DATE	BY	CHKD	APP'D	ISSUE #
12-15-98	NTS	EOS			0680038

FILED
EXTERNAL\880\0680038



-ISO VIEW

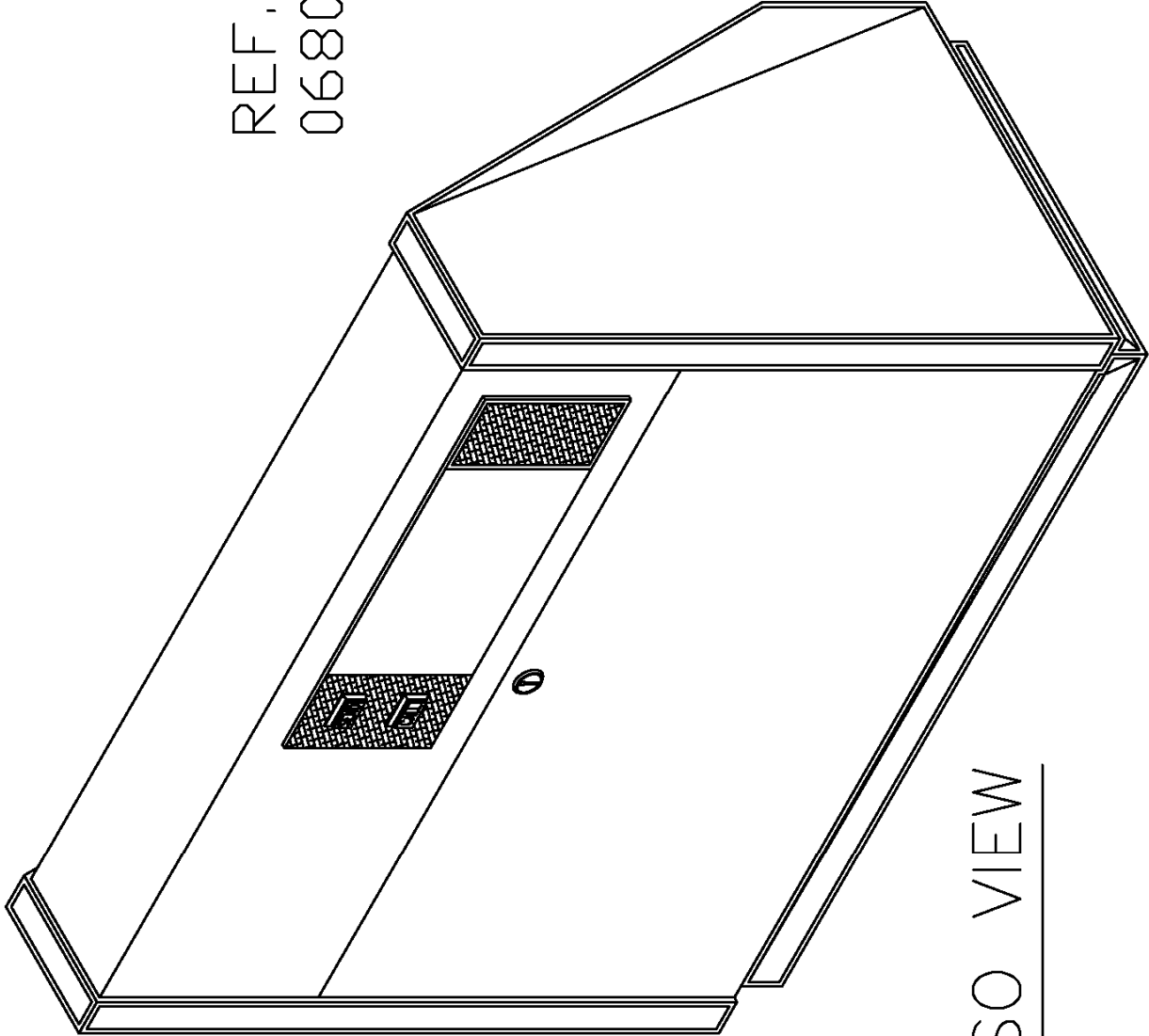


THIS DOCUMENT IS THE PROPERTY OF COMCO SYSTEMS AND ITS USE IS AUTHORIZED ONLY FOR RESPONDING TO A REQUEST FOR DESIGN OR SUBMITTAL OF TUBE SYSTEMS AND ITS COMPONENTS AND IS NOT FOR CONSTRUCTION OR DISTRIBUTION. COMCO SYSTEMS COMPONENTS REPRESENTED IN THIS DOCUMENT ARE PROTECTED BY ONE OR MORE OF THE FOLLOWING PATENTS: DES272076, 4180354, 4971481, 4984939, 5584613, 60399510, 6592302B2. OTHER PATENTS PENDING

660/880 PNEUMATIC TUBE SYSTEMS
OVERHEAD CUSTOMER UNIT
(4.0 OR 4.5) DETAILS

				LAKE DALLAS, TEXAS	
(800) 533-3784		800		EGS	
DATE	7-22-98	SCALE	NTS	DRAWN BY	0680031
FILE NO.	X:\660\880\0880031.DWG				



REF. DWG #
0680017

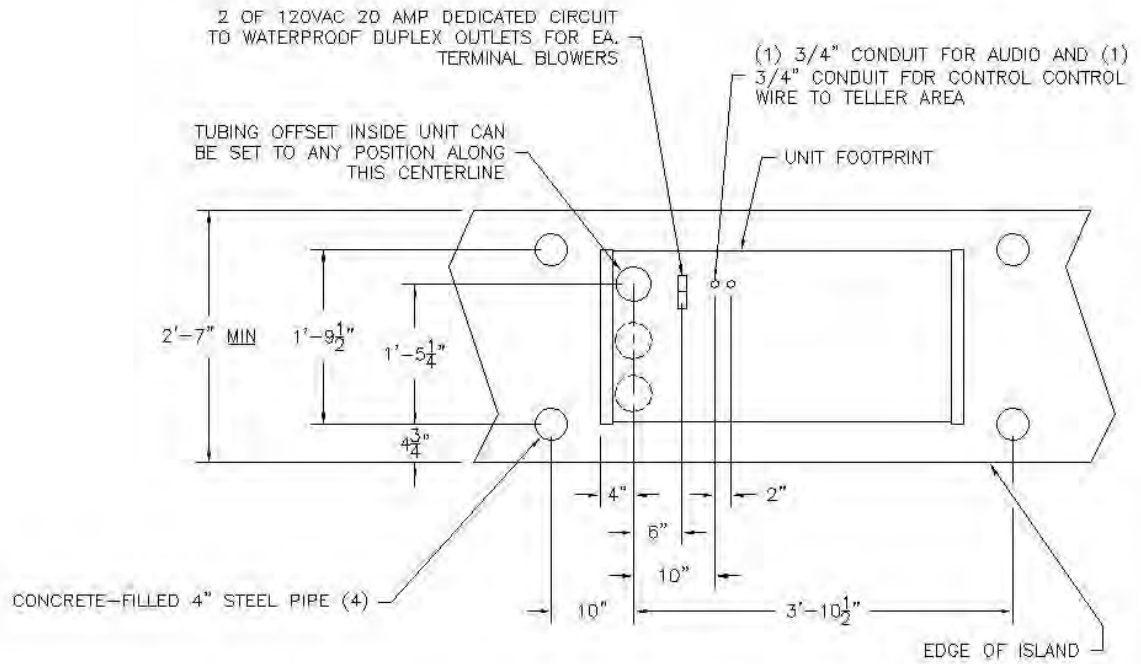


—ISO VIEW—

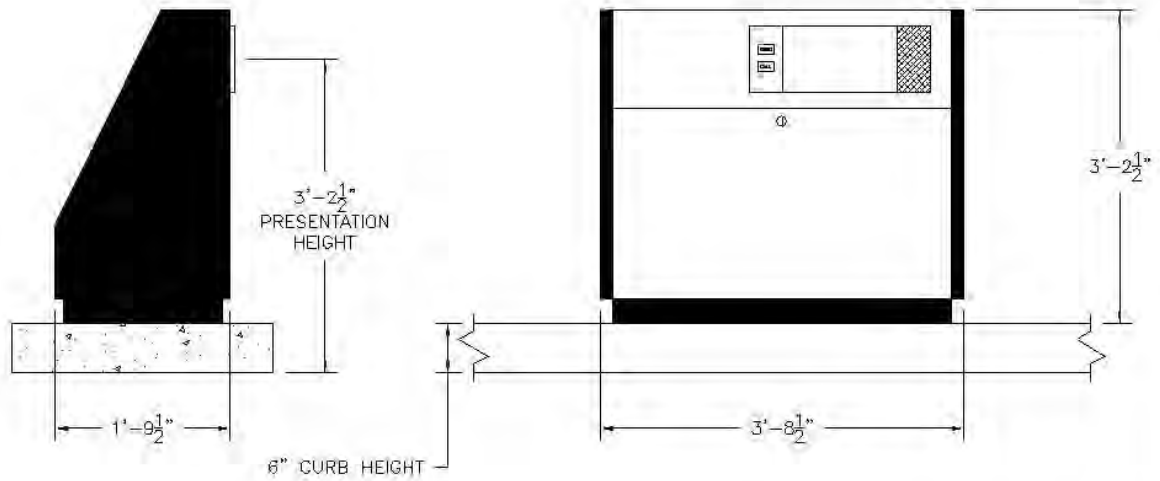
THIS DOCUMENT IS THE PROPERTY OF COMCO SYSTEMS AND ITS USE IS AUTHORIZED ONLY FOR RESPONDING TO A REQUEST FOR DESIGN OR SUBMITTAL OF TUBE SYSTEMS AND ITS COMPONENTS AND IS NOT FOR CONSTRUCTION OR DISTRIBUTION. COMCO SYSTEMS COMPONENTS REPRESENTED IN THIS DOCUMENT ARE PROTECTED BY ONE OR MORE OF THE FOLLOWING PATENTS: DES272076, 4180354, 4971481, 4984939, 5584613, 6039510, 6592302B2. OTHER PATENTS PENDING

660/880 PNEUMATIC TUBE SYSTEMS
CUSTOMER UNIT WITH CAMERA OPTION
TYPICAL-ISO VIEW

				LAKE DALLAS, TEXAS	
(800) 533-3794					
INTD	SCALE	NTS	EOS	APPROVED	DRAWN BY
09-18-96					0680007
FILED \EXTERNAL\880\0680007					



UNIT SHOWN IS STANDARD (RIGHT)
OPPOSITE (LEFT) IS AVAILABLE



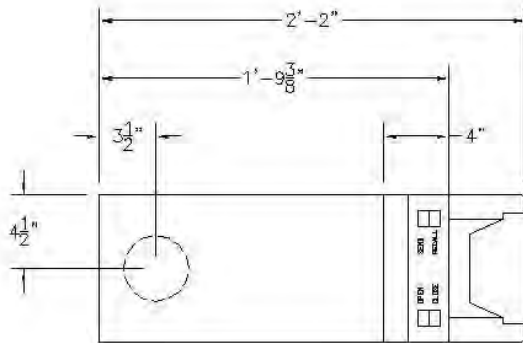
660/880 PNEUMATIC TUBE SYSTEMS
RETROFIT CUSTOMER UNIT (4.0 OR 4.5)
DETAILS

Con Systems

11120 INDIAN TRAIL DALLAS, TEXAS 75229

DATE 07-22-98	SCALE NTS	DRAWN BY BGB	APPROVED BY:	BRAYDING # 0680036
------------------	--------------	-----------------	--------------	-----------------------

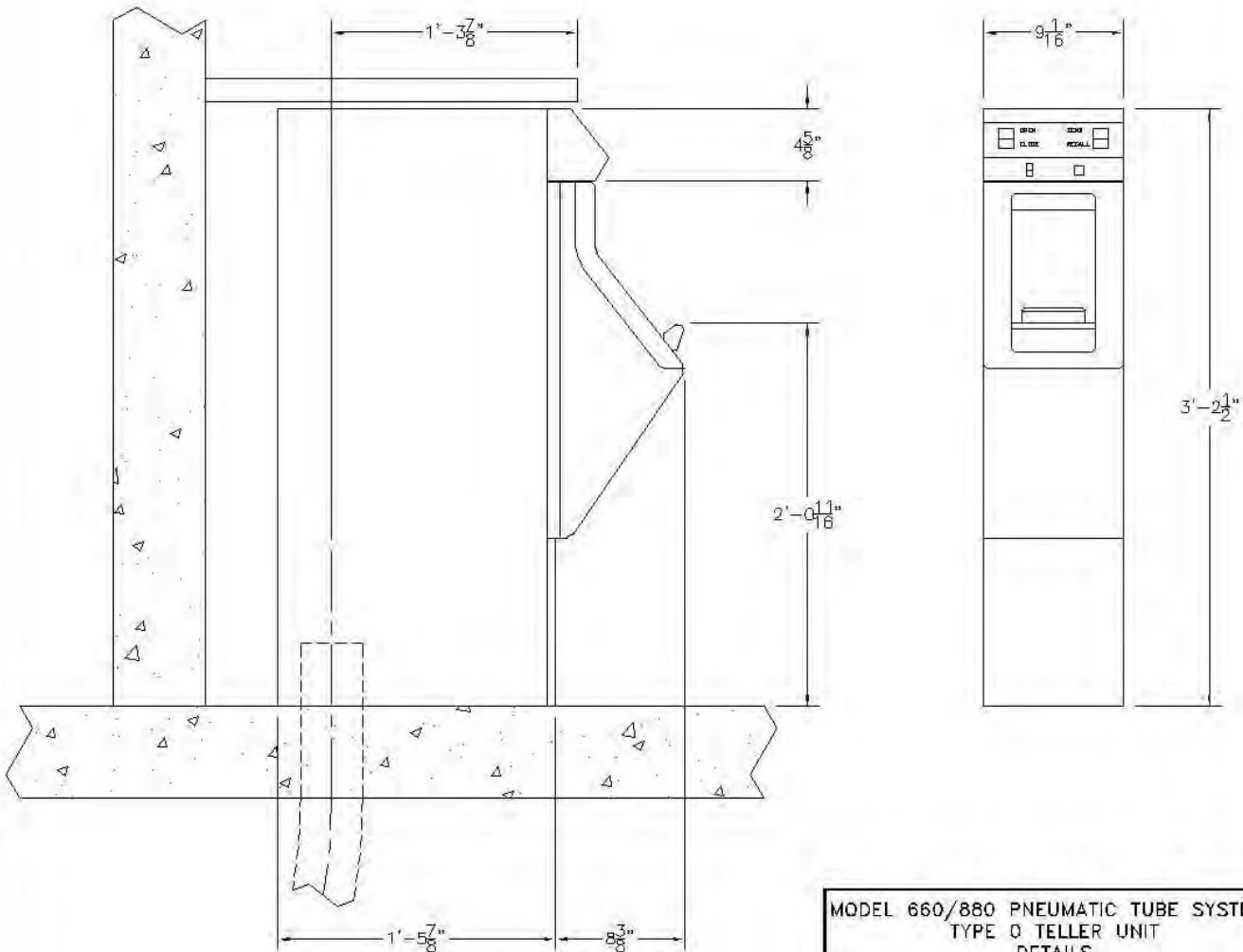
FILE
\\EXTERNAL\B80\



UNDER COUNTER, UNDERGROUND
WITH AUTO-DISPATCH.

120VAC 15 AMP SERVICE REQUIRED
WITHIN 3' OF UNIT OR SUPPLIED VIA
CONDUIT IN FOUNDATION WITHIN
FOOTPRINT

REPLACEMENT:
MOSSLER-PV1, TV1, TV2, TV3
DIEBOLD-VAT2, VAT4, VAT6
NATIONAL-SL5010
SECURITY-ALL MODELS
MEILINK-4.0"



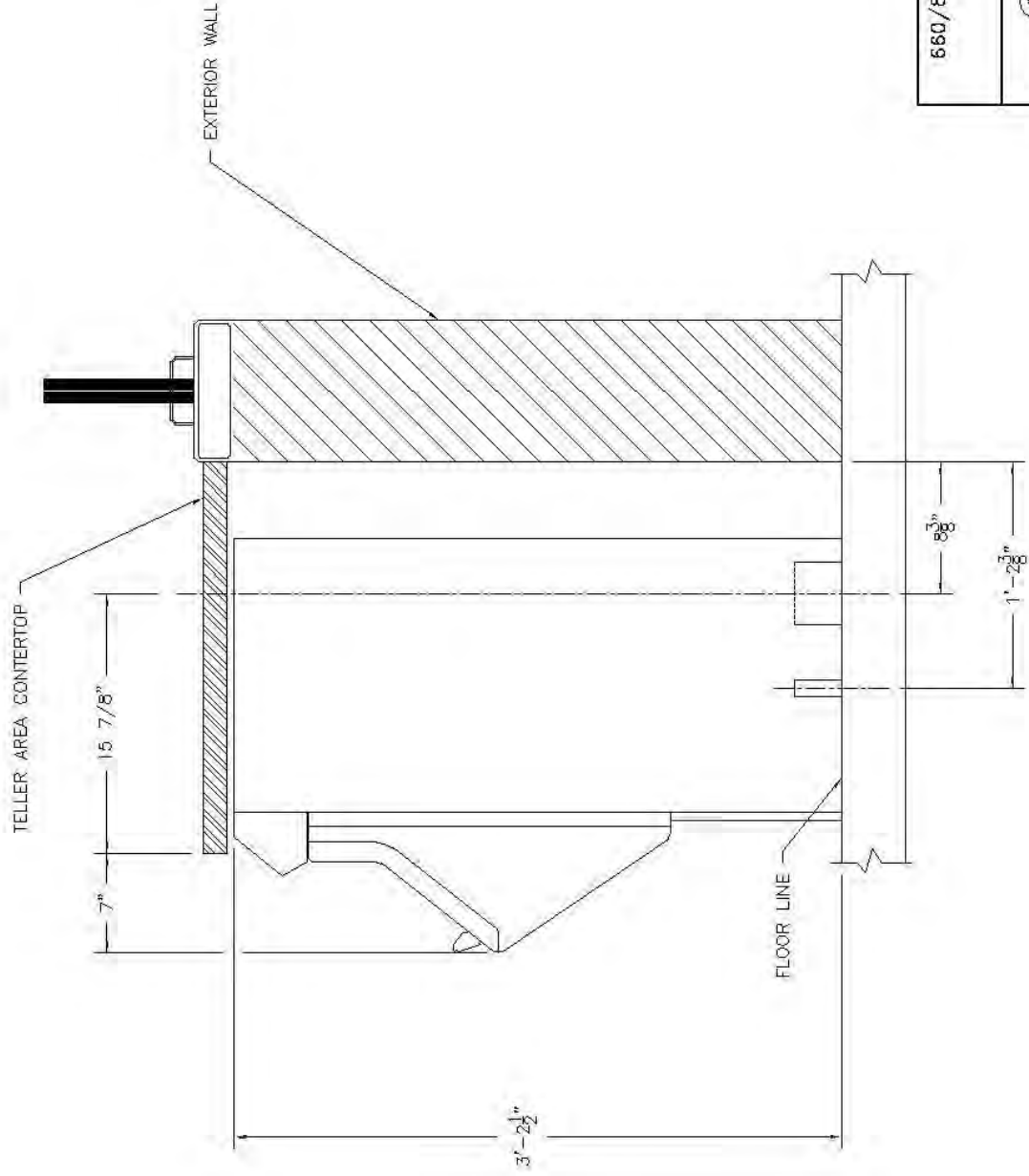
MODEL 660/880 PNEUMATIC TUBE SYSTEMS
TYPE O TELLER UNIT
DETAILS

CnC Systems

11120 INDIAN TRAIL DALLAS, TEXAS 75229

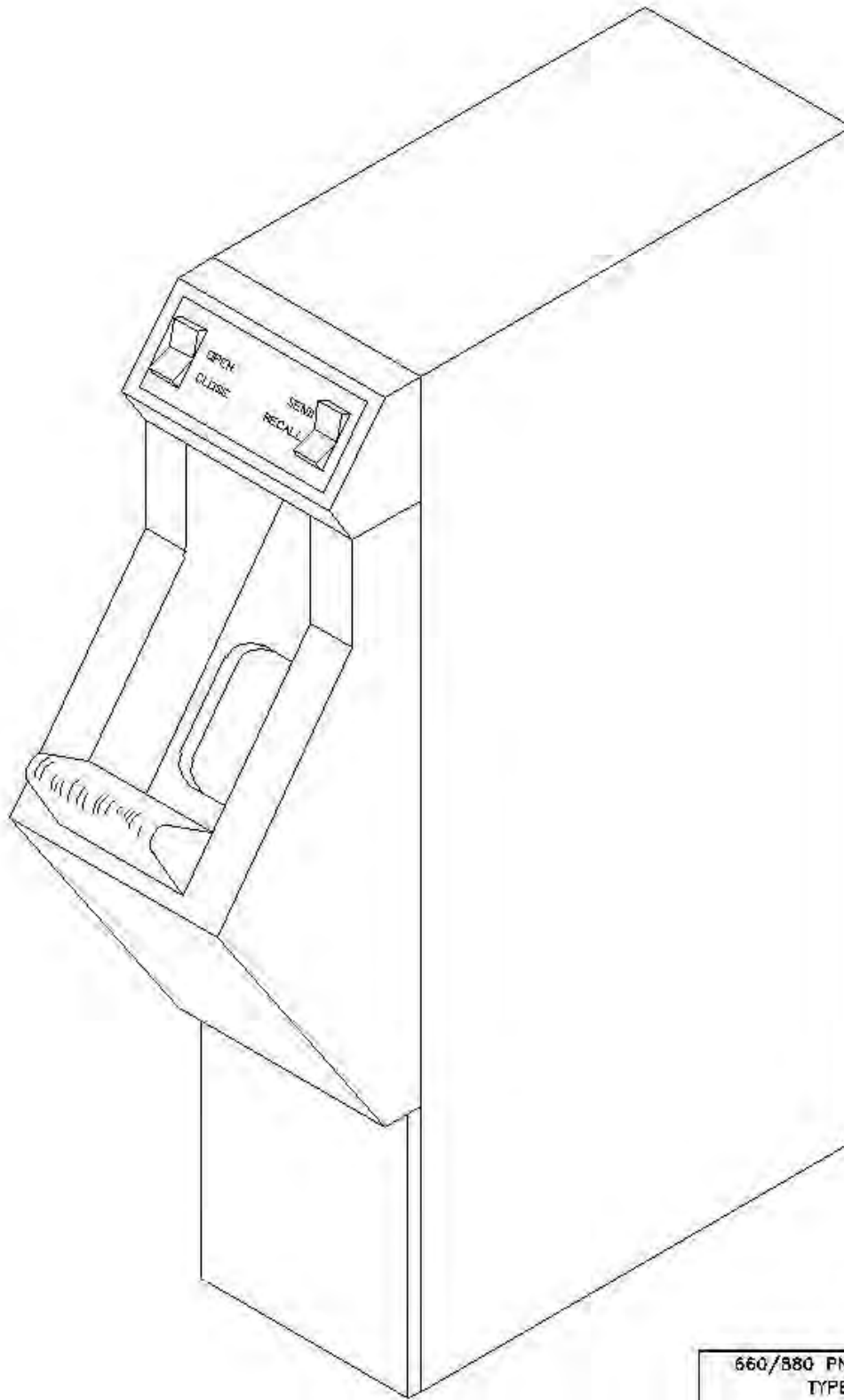
DATE 06-17-99	SCALE 1"=1'	DRAWN BY EDS	APPROVED BY	DRAWING # 0680046
------------------	----------------	-----------------	-------------	----------------------

FILE:
EXTERNAL\680\



UNIT IS 9 1/16" WIDE

660/880 PNEUMATIC TUBE SYSTEMS TYPE O TELLER UNIT CABINET DETAIL			
		DALLAS, TEXAS 75229	
11120 INDIAN TRAIL		DESIGNED BY	0680026
DATE	SCALE	DRAWN BY	APPROVED BY
04-03-94	NTS	RLD	
FILE \EXTERNAL\800\0680026.JWG			



660/880 PNEUMATIC TUBE SYSTEMS
TYPE O TELLER UNIT
-ISO VIEW

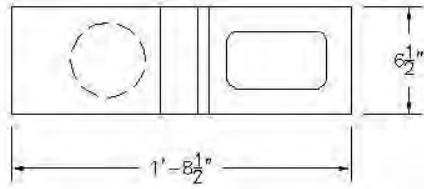


11120 INDIAN TRAIL DALLAS, TEXAS 75229

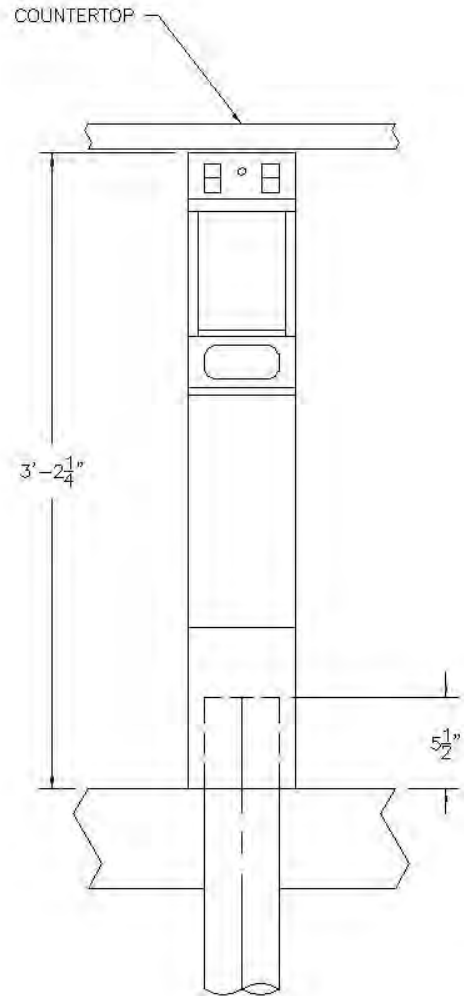
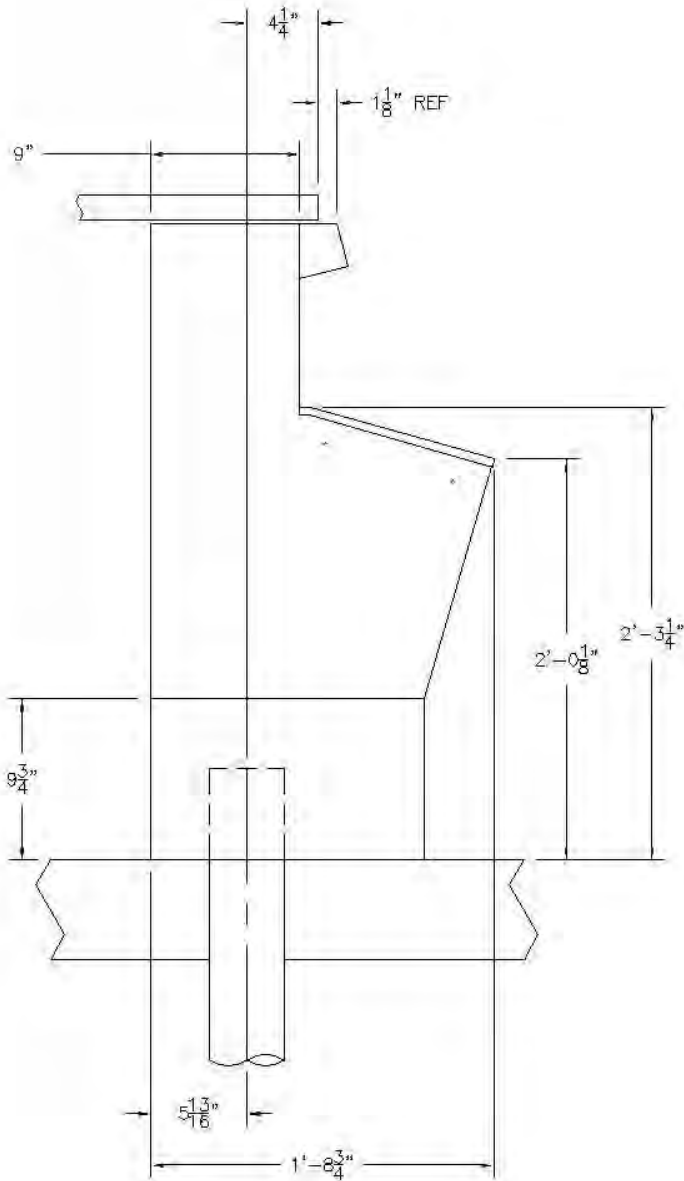
DATE 03-25-97	DRAWN BY NTS	ENGIN BY EDS	APPROVED BY	NUMBER 0680023
------------------	-----------------	-----------------	-------------	-------------------

FILED
\\EXTERNAL\880\0680023.DWG

UNDERCOUNTER, UNDERGROUND
 UP-RECEIVE WITH AUTO DISPATCH
 REPLACEMENT:



DIEBOLD VAT3, VAT7, VAT12
 MOSSLER PV 800, TV2000
 ZIP 4.5"
 NATIONAL 1500, 3000
 HAMILTON HA16
 MEILINK 4.5"
 CHUBB MONOTUBE
 LEFEBURE TELAIR 1, 5, 9



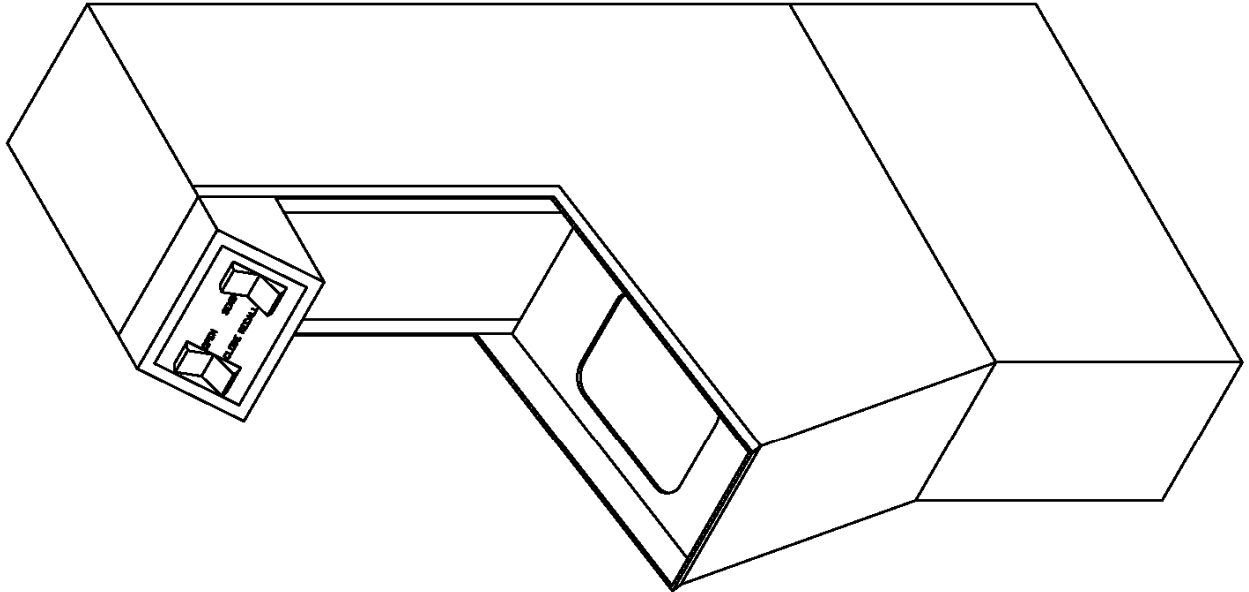
660/880 PNEUMATIC TUBE SYSTEMS
 TYPE 3 TELLER UNIT (4.5")
 DETAILS



11120 INDIAN TRAIL DALLAS, TEXAS 75229

DATE 04-12-94	SCALE 1' = 1'	DRAWN BY BGB	APPROVED BY	DRAWING NO. 0680009
------------------	------------------	-----------------	-------------	------------------------

FILE:
 \EXTERNAL\880\0680009.DWG



—ISO VIEW

THIS DOCUMENT IS THE PROPERTY OF
 CIMCO SYSTEMS AND ITS USE IS AUTHORIZED
 ONLY FOR RESPONDING TO A REQUEST FOR
 DESIGN OR SUBMITTAL OF TUBE SYSTEMS
 AND ITS COMPONENTS AND IS NOT FOR
 CONSTRUCTION OR DISTRIBUTION. CIMCO
 SYSTEMS COMPONENTS REPRESENTED IN THIS
 DOCUMENT ARE PROTECTED BY ONE OR MORE
 OF THE FOLLOWING PATENTS: DES272076,
 4180354, 4971461, 4984939, 5584613, 6039510,
 6592302B2. OTHER PATENTS PENDING

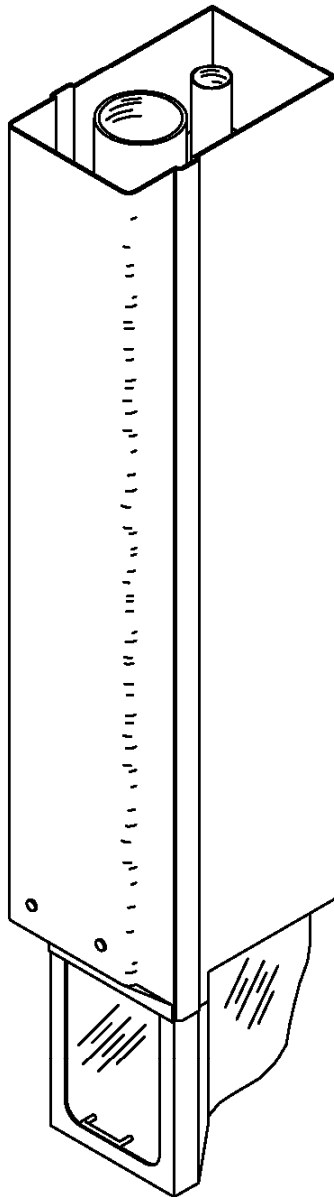
663/883 PNEUMATIC TUBE SYSTEMS
 TYPE 3 TELLER UNIT
 —ISO VIEW

Cimco Systems
 LAKE DALLAS, TEXAS

(800) 533-3784

DATE	DRAWN	APPROVED	REVISION #
D3-25-97	NTS	EOS	0680027

FILED
 \EXTERNAL\880\0680027



MODEL 521 PNEUMATIC TUBE SYSTEM
TELLER UNIT DETAILS

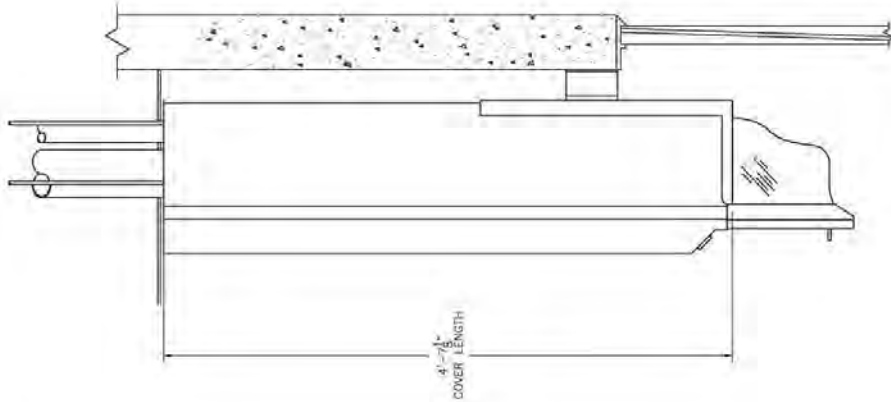
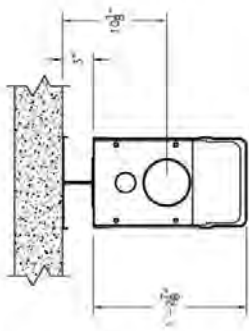
ComCo *Systems*

(800) 533-3794

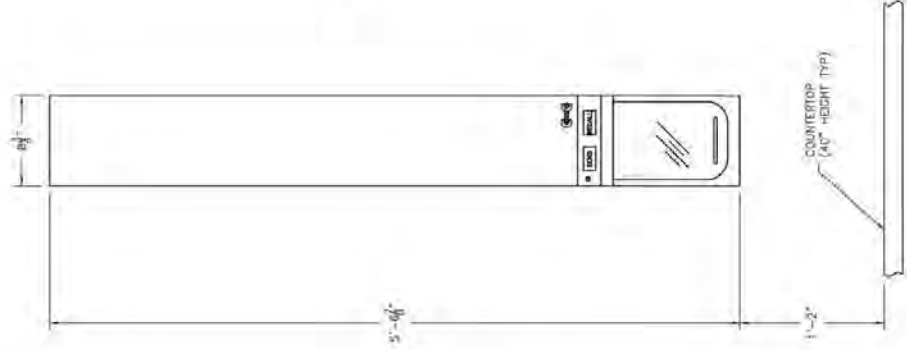
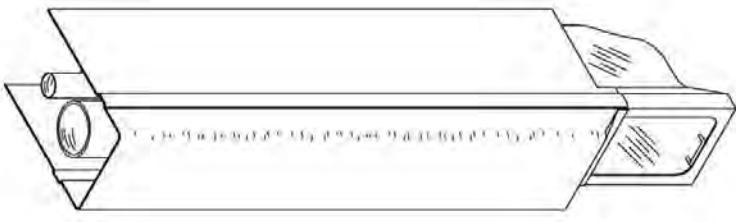
LAKE DALLAS, TEXAS

INTD 08-07-86	SCALE 3/4"=1'	DESIGN EOS	APPROVED	REVISION # 0520035
------------------	------------------	---------------	----------	-----------------------

FILED
EXTERNAL\521\0520035



ISO VIEW



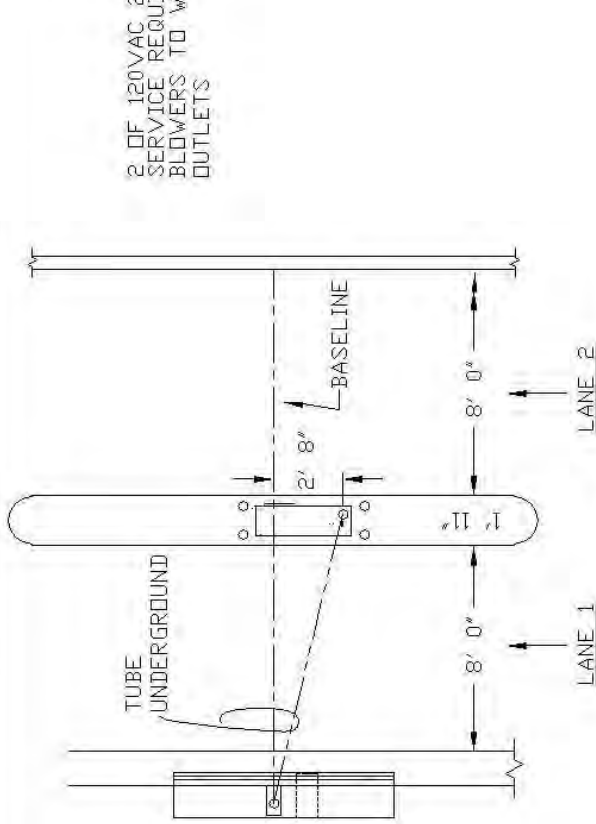
THIS DOCUMENT IS THE PROPERTY OF COMCO SYSTEMS AND ITS USE IS AUTHORIZED ONLY FOR RESPONDING TO A REQUEST FOR DESIGN OR SUBMITTAL OF TUBE SYSTEMS AND ITS COMPONENTS AND IS NOT FOR CONSTRUCTION OR DISTRIBUTION. COMCO SYSTEMS COMPONENTS REPRESENTED IN THIS DOCUMENT ARE PROTECTED BY ONE OR MORE OF THE FOLLOWING PATENTS: DES272076, 4180354, 4971481, 4984939, 5584613, 6039951, 6592302B2. OTHER PATENTS PENDING.

MODEL 521 PNEUMATIC TUBE SYSTEMS
TYPICAL UNIT
DETAILS

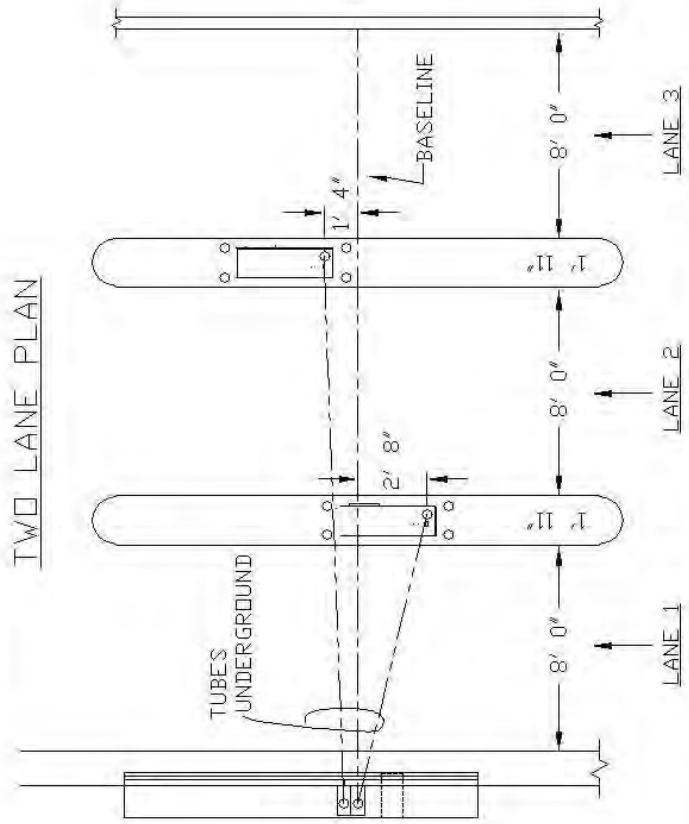


(800) 533-3794 LAKE DALLAS, TEXAS

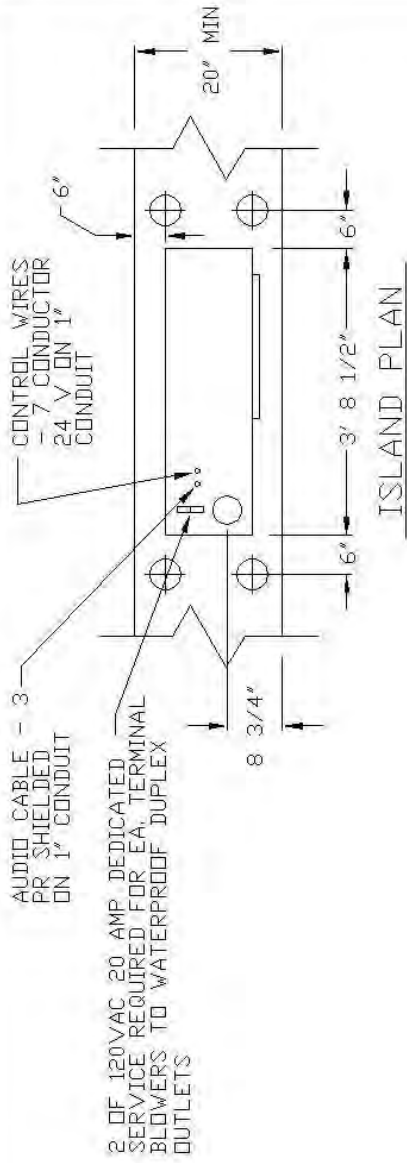
DATE	SCALE	NTS	DRAWN	APPROVED	DRAWING #
06-22-98			EOS		0520025B
FILE: X:\500\521\0520025-B.DWG					



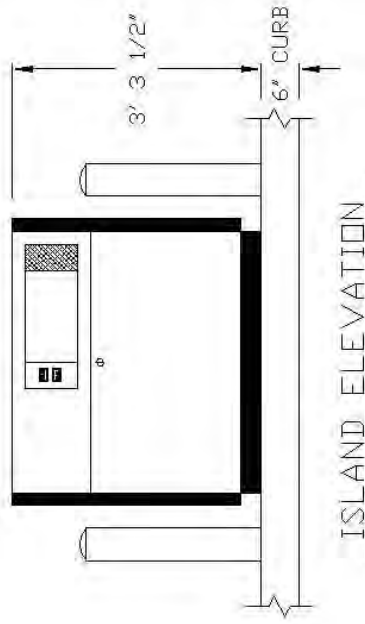
TWO LANE PLAN



THREE LANE PLAN



ISLAND PLAN



ISLAND ELEVATION

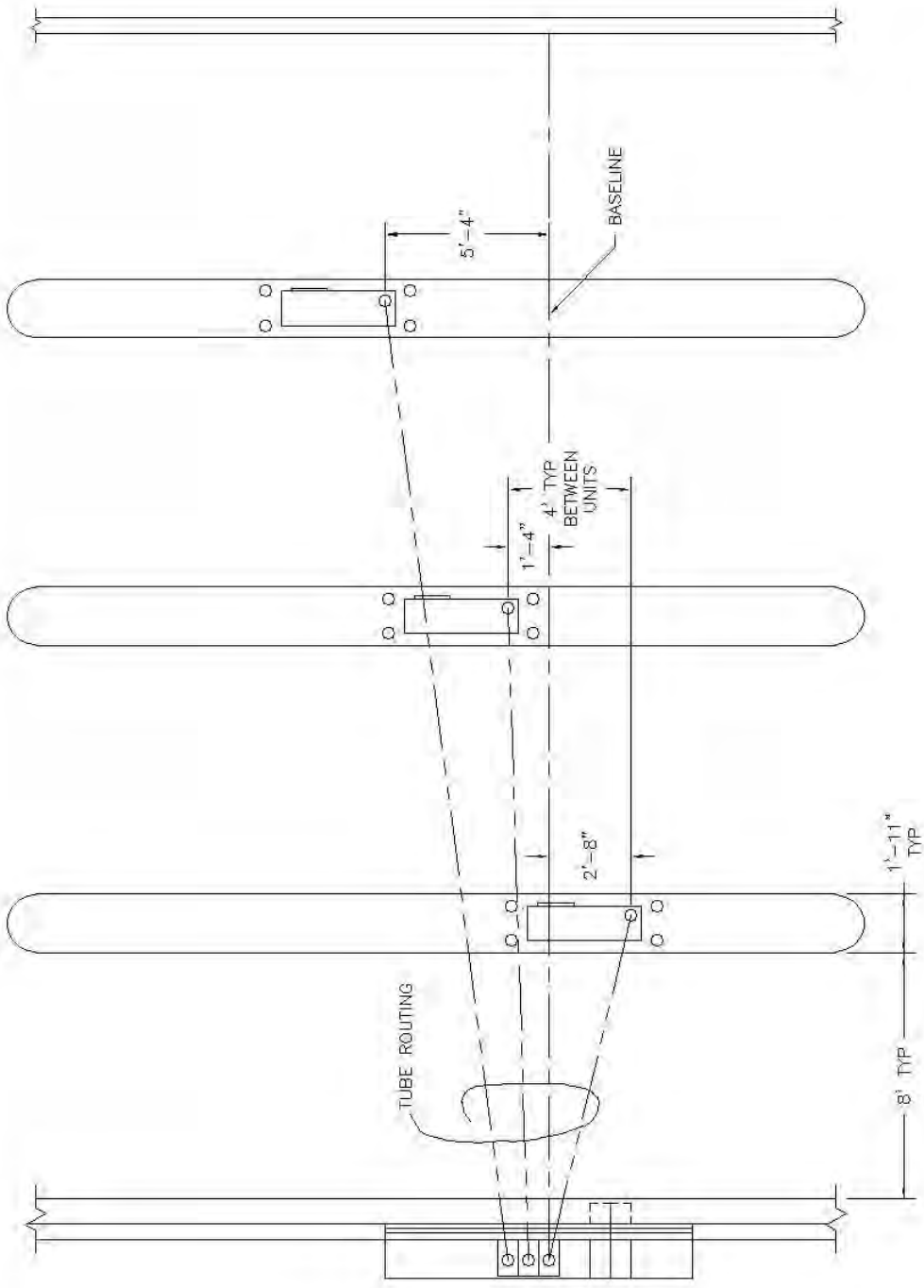
660/880 PNEUMATIC TUBE SYSTEMS
TYPICAL LAYOUTS
1/2-LANE TYPICAL ECHELON LAYOUT



11120 INDIAN TRAIL DALLAS, TEXAS 75229

DATE: 05-17-01
SCALE: NTS
DRAWN BY: BOB
APPROVED BY: [Signature]

PROJECT: 0680022
FILE: \EXTERNAL\880\0680022.DWG

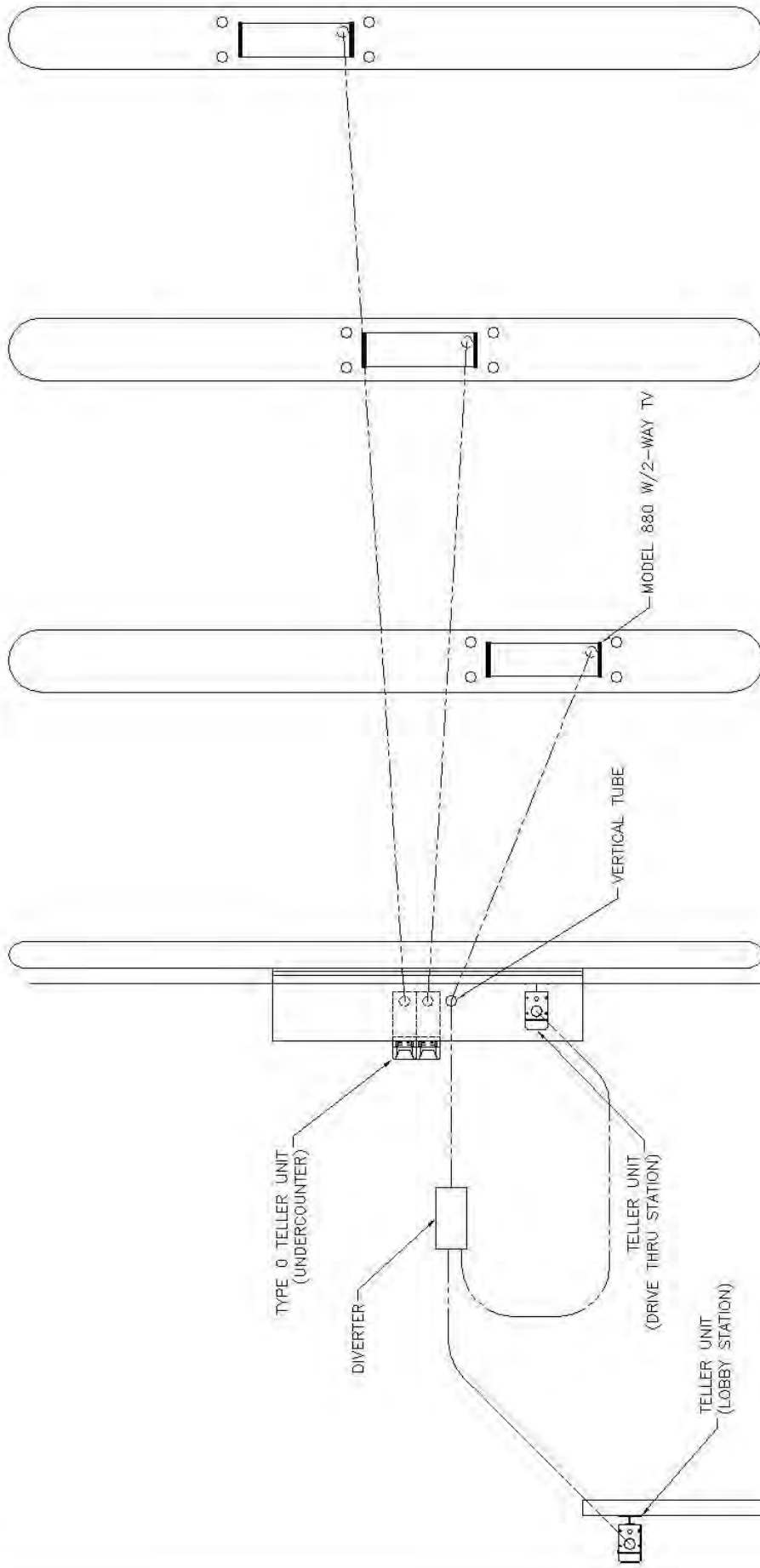


660/880 PNEUMATIC TUBE SYSTEMS
 TYPICAL LAYOUTS
 3-LANE TYPICAL ECHELON LAYOUT



11120 INDIAN TRAIL DALLAS, TEXAS 75229

DATE 05-29-96	SCALE NTS	DRAWN BY EDS	APPROVED BY	DRAWING # 0680021
FILE \\EXTERNAL\880\0680021.DWG				



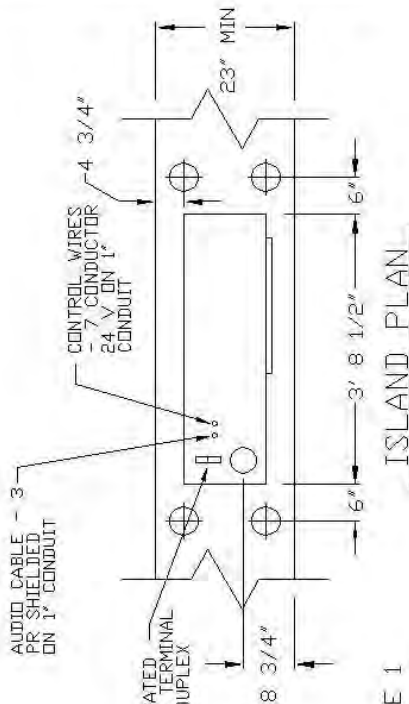
MODEL 880 PNEUMATIC TUBE SYSTEMS
 3-LANE ECHELON PLAN
 DUAL 521 TELLER UNITS



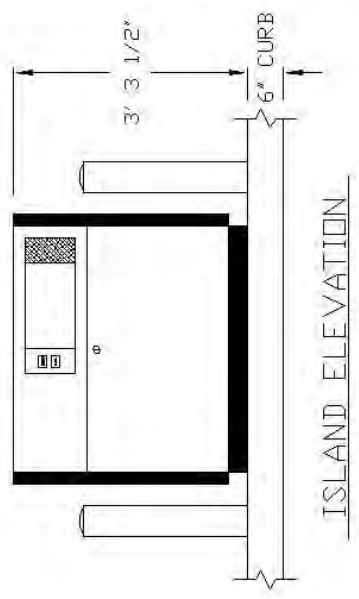
(800) 533-3794 LAKE DALLAS, TEXAS

DATE	DRAWN	APPROVED	DRAWING #
05-05-2000	EOS		0031

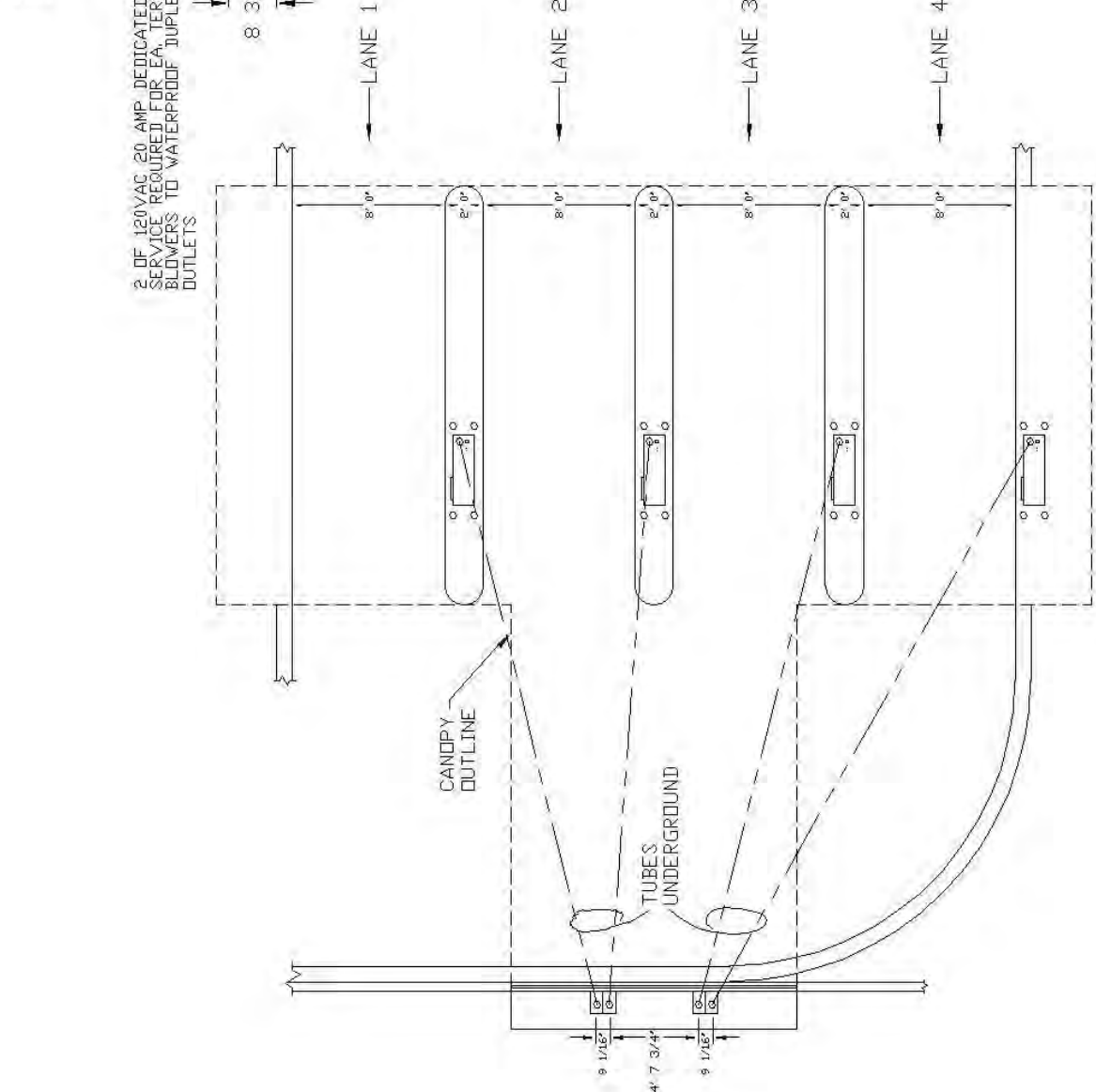
SCALE: 3/8" = 1'
 FILE: \EXTERNAL\CREATIVE\0031



ISLAND PLAN



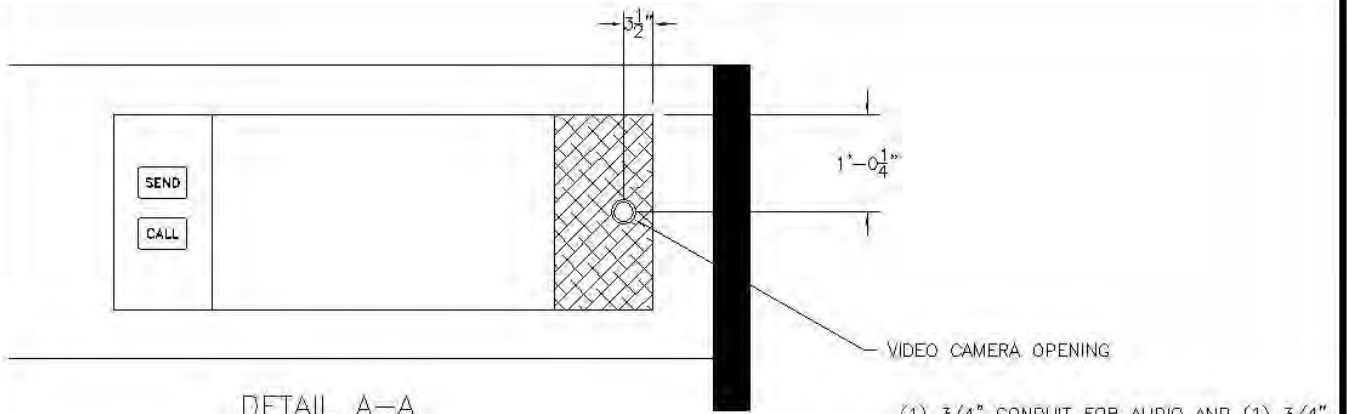
ISLAND ELEVATION



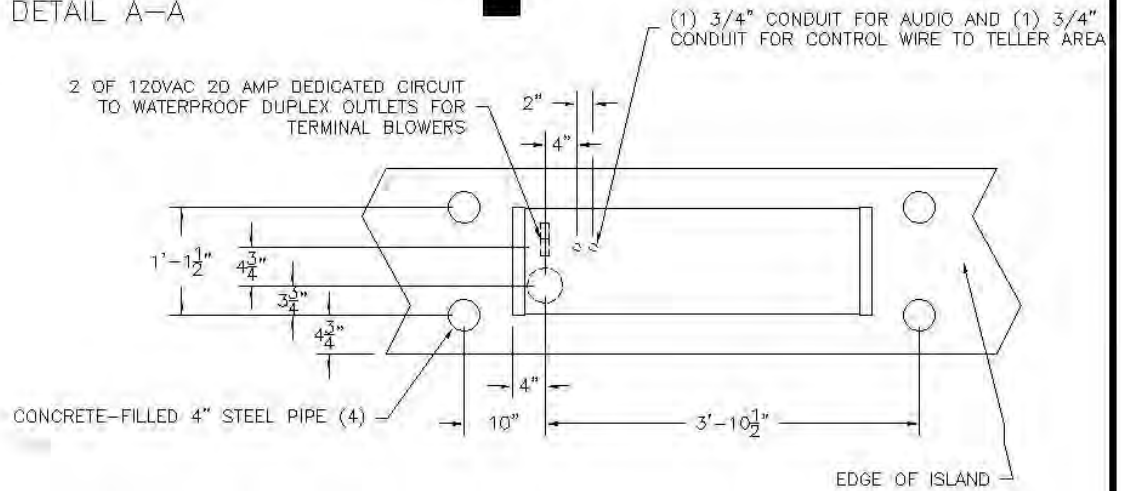
660/580 PNEUMATIC TUBE SYSTEMS
 TYPICAL LAYOUTS
 4-LANE TYPICAL HEAD-ON LAYOUT

City of Spiceland
 11120 INDIAN TRAIL DALLAS, TEXAS 75229

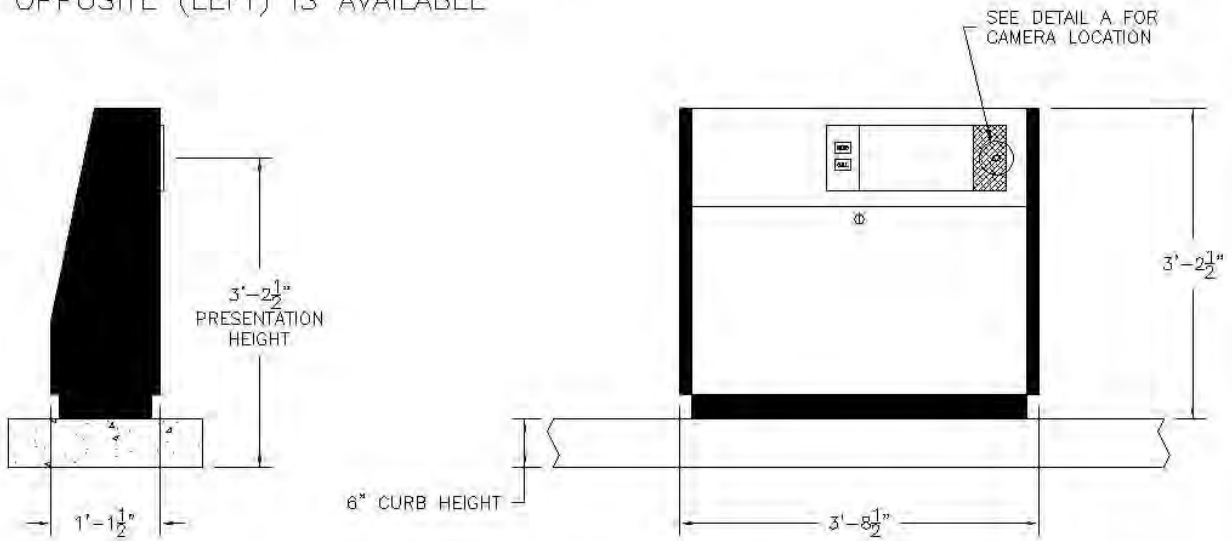
DATE 07-11-96	SCALE N.T.S.	DESIGNED BY BGB	APPROVED BY [Signature]
PROJECT NO. 06180005			FILE NO. NEXT INTERNAL \880\06180005\DWG



DETAIL A-A



UNIT SHOWN IS STANDARD (RIGHT)
OPPOSITE (LEFT) IS AVAILABLE



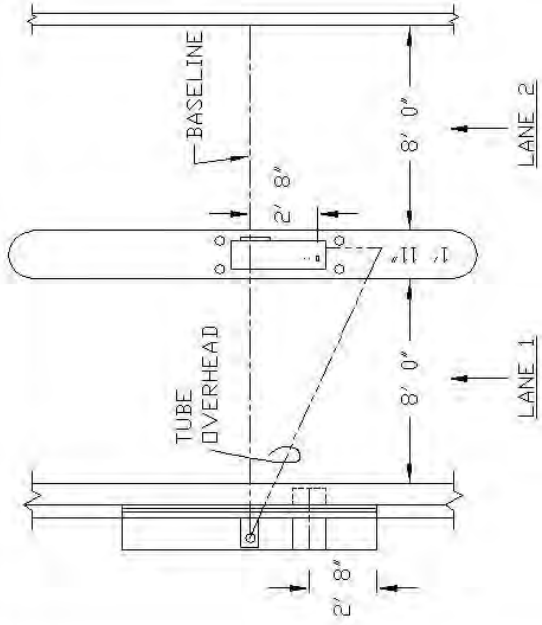
660/880 PNEUMATIC TUBE SYSTEMS
STANDARD CUSTOMER UNIT (4.0 OR 4.5)
WITH BOARD CAMERA - DETAILS

Unit Systems

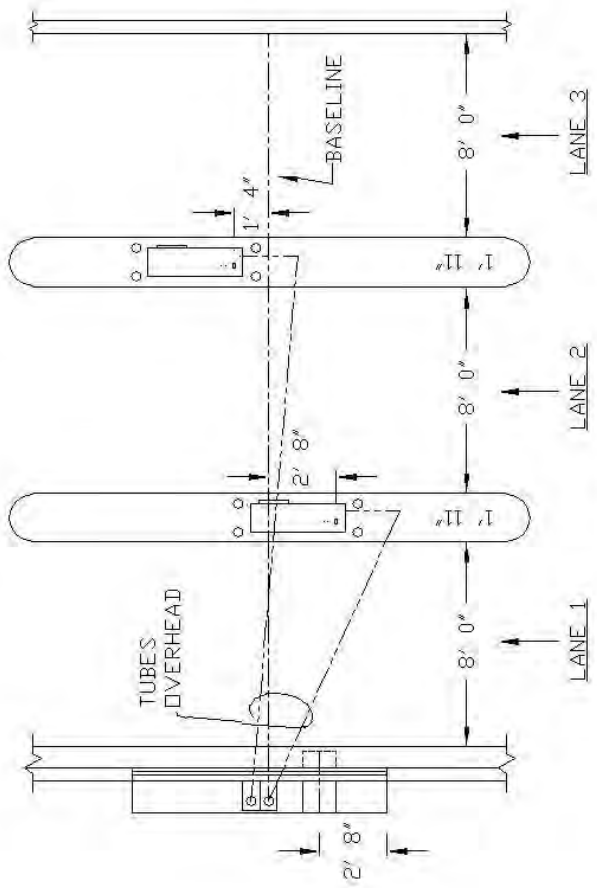
306 W. OVERLY LAKE DALLAS, TEXAS 75065

DATE 09-26-00	SCALE NTS	DRAWN BY BGB	APPROVED BY	DRAWING # 0680057
------------------	--------------	-----------------	-------------	----------------------

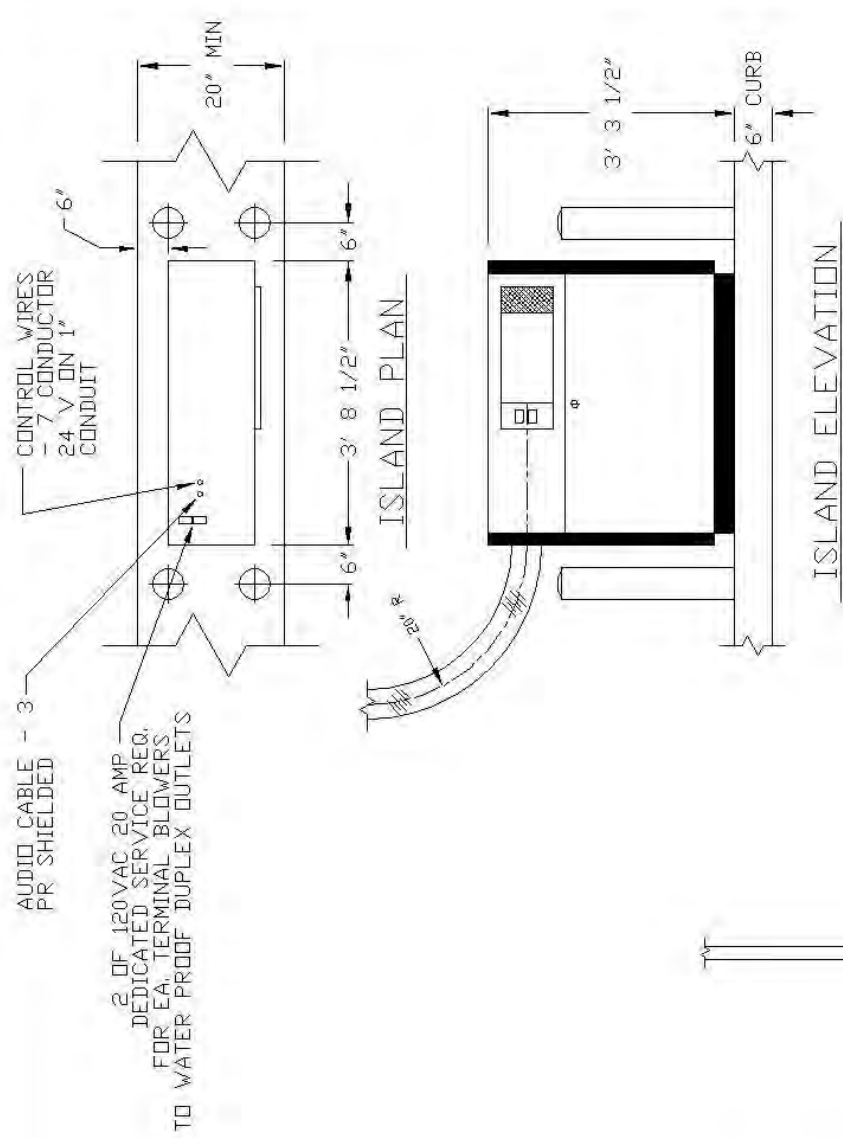
FILE:
\\EXTERNAL\880\0680057.DWG



ONE LANE PLAN



TWO LANE PLAN

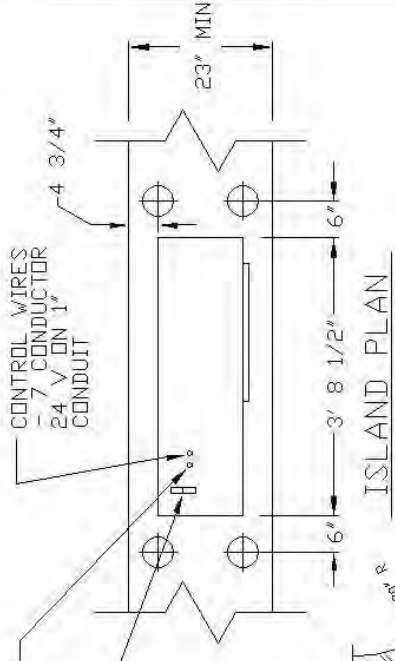


665/885 PNEUMATIC TUBE SYSTEMS TYPICAL LAYOUTS		1/2-LANE TYPICAL ECHELON LAYOUT	
11120 INDIAN TRAIL		DALLAS, TEXAS 75229	
DATE 09-14-01	SCALE NTS	DESIGNED BY BGB	APPROVED BY 0680002
FILED \\EXTERNAL\880\0680002.DWG		DRAWING NO. 0680002	

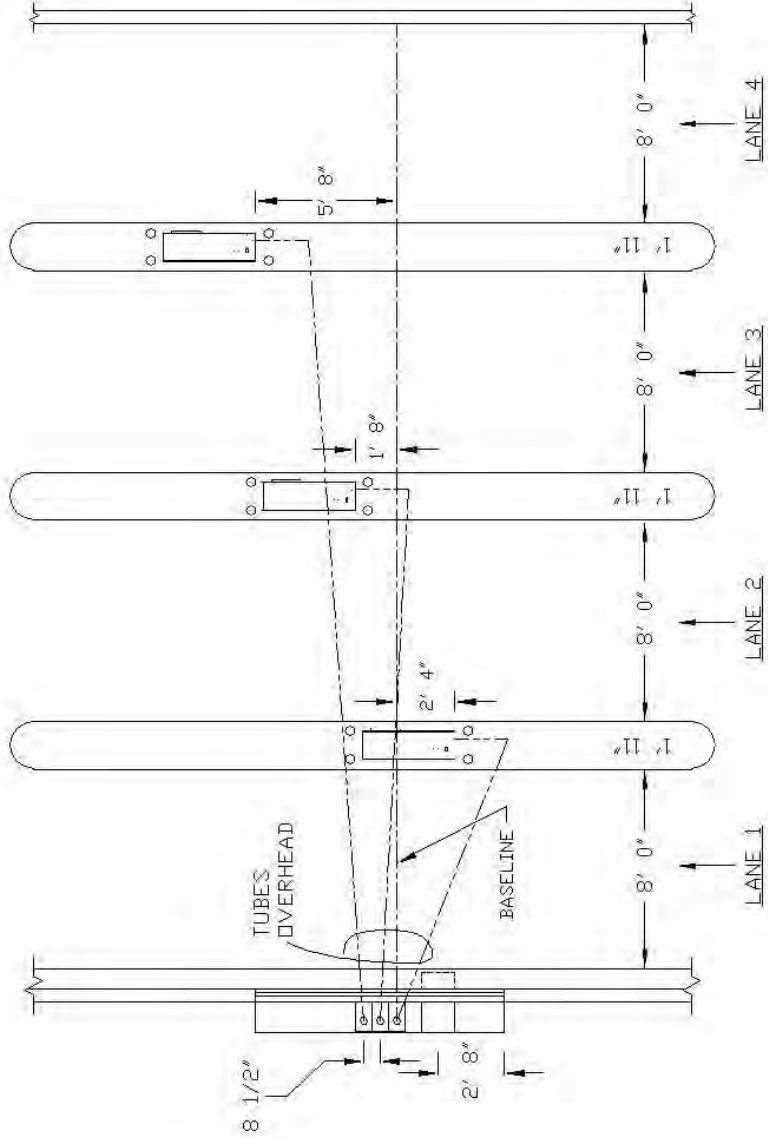
AUDIO CABLE - 3
PR SHIELDED
ON 1" CONDUIT

CONTROL WIRES
- 7 CONDUCTOR
24 V ON 1"
CONDUIT

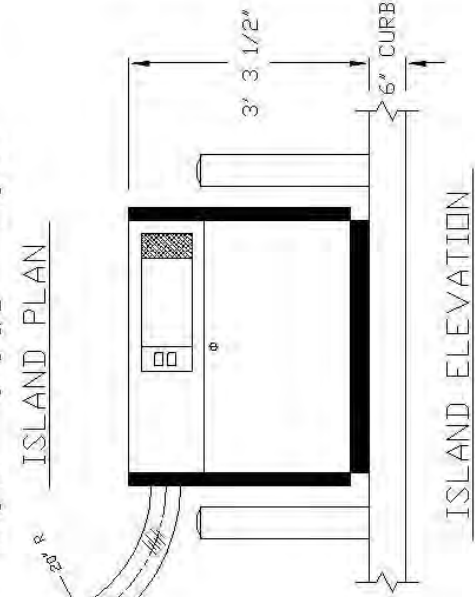
2 OF 120VAC 20 AMP DEDICATED
SERVICE REQUIRED FOR EA, TERMINAL
BLOWERS TO WATERPROOF DUPLEX
OUTLETS



ISLAND PLAN



THREE LANE PLAN

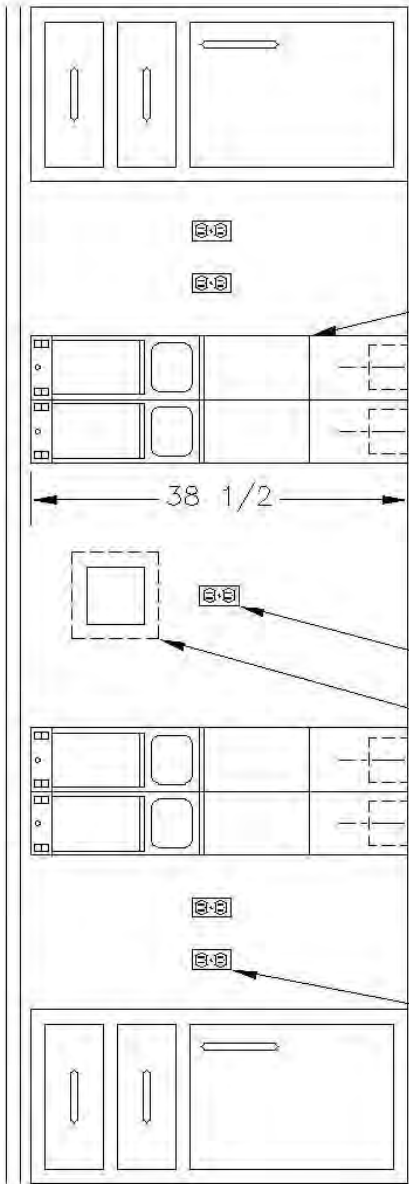
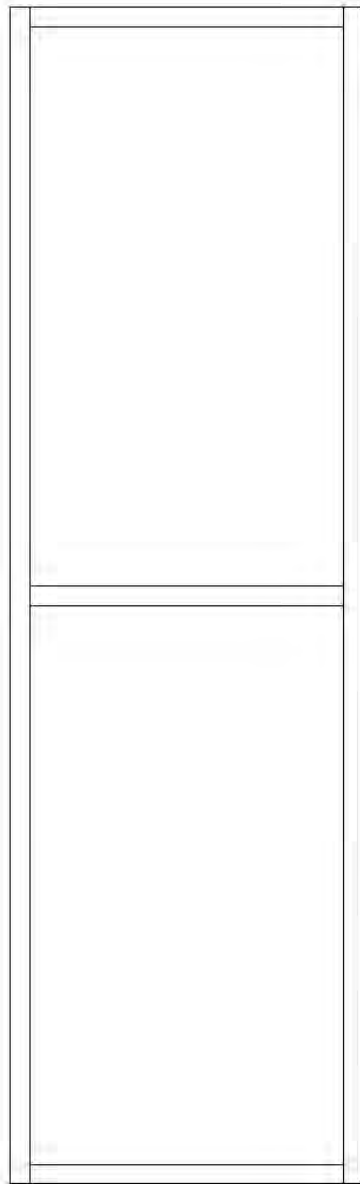


ISLAND ELEVATION

665/885 PNEUMATIC TUBE SYSTEMS
TYPICAL LAYOUTS
3-LANE TYPICAL ECHELON LAYOUT



11120 INDIAN TRAIL DALLAS, TEXAS 75229
DATE: 05-29-96 SCALE: NTS DRAWN BY: BGG APPROVED BY: BGG
PROJECT: 0680003
FILE: \EXTERNAL\880\0680003.DWG



DUPLEX RECEPTACLES
FOR TELLER TERMINALS

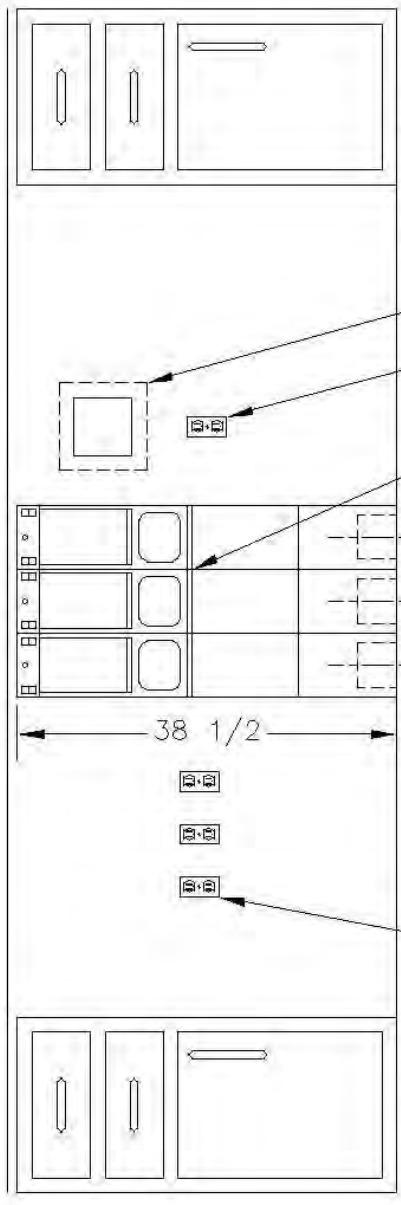
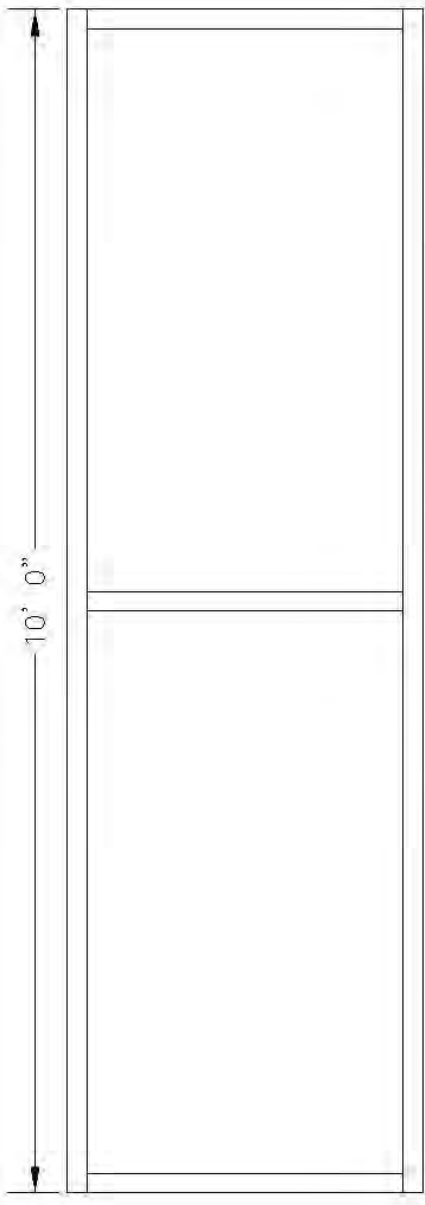
AUDIO MATRIX

TELLER TERMINALS

DEDICATED 115V DUPLEX
RECEPTACLE FOR AUDIO MATRIX

663/883 PNEUMATIC TUBE SYSTEMS
TYPICAL INSTALLATION
4 UNIT TELLER WINDOW ELEVATION

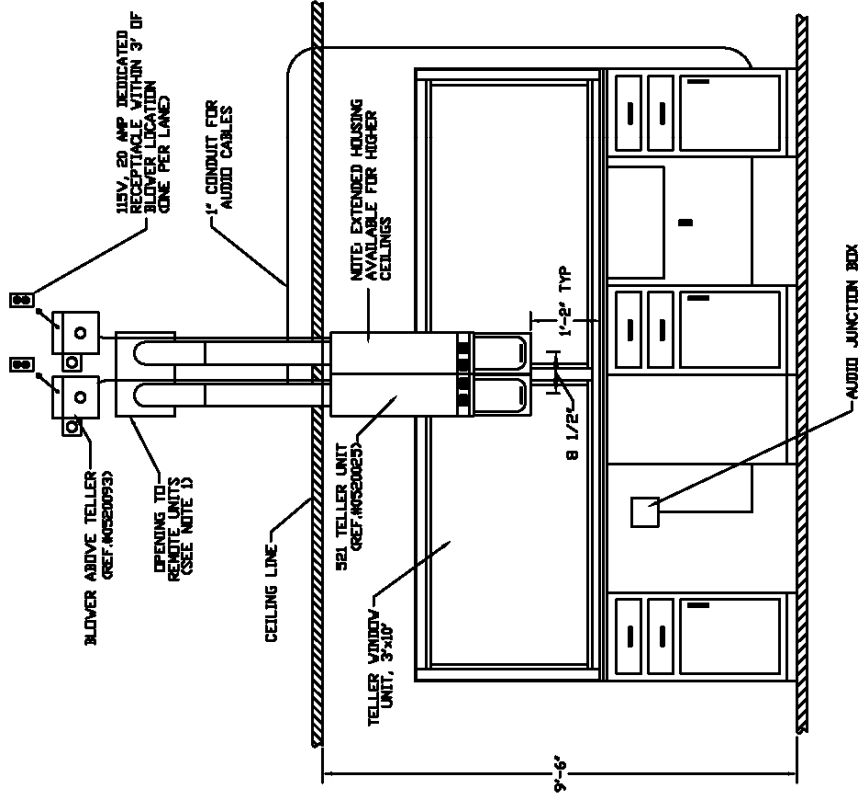
		DALLAS, TEXAS 75229	
		11120 INDIAN TRAIL	
DATE 07-01-97	SCALE NTS	DRAWN BY EDS	APPROVED BY [Signature]
FILE NEXTINTERNAL\880\0680029.DWG		DRAWING # 0680029	



DUPLEX RECEPTACLES FOR TELLER TERMINALS
 AUDIO MATRIX DEDICATED 115V DUPLEX RECEPTACLE FOR AUDIO MATRIX
 TELLER UNITS

663/883 PNEUMATIC TUBE SYSTEMS
 TYPICAL INSTALLATION
 4 UNIT TELLER WINDOW ELEVATION

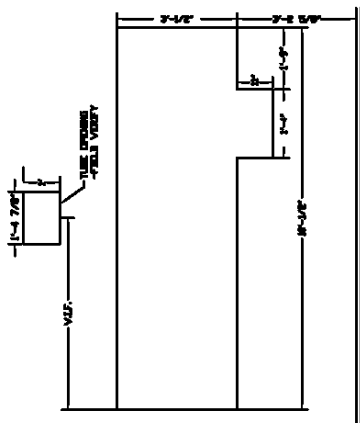
11120 INDIAN TRAIL DALLAS, TEXAS 75229
 DATE: 07-01-97 DRAWN BY: EDS APPROVED BY: [Signature]
 FILE: \EXTERNAL\880\0680030.DWG



NOTES: UNLESS OTHERWISE SPECIFIED
 1. OPENING TO BE CLOSED BY I.C.C. FOLLOWING INSTALLATION OF OVERHEAD TUBE.

TYPICAL MASONRY DETAIL

->VERIFY DEAL DRAWER AND WINDOW DIMENSIONS WITH MANUFACTURER



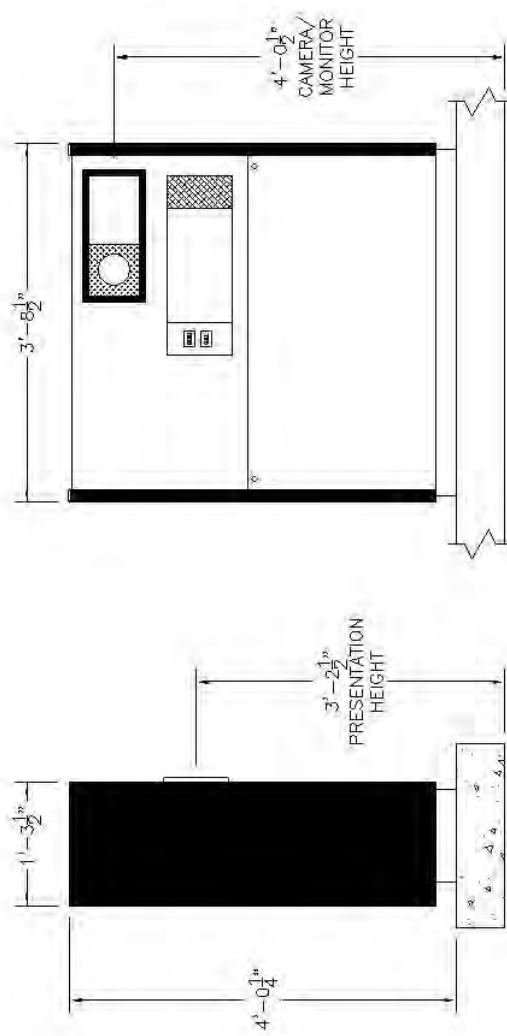
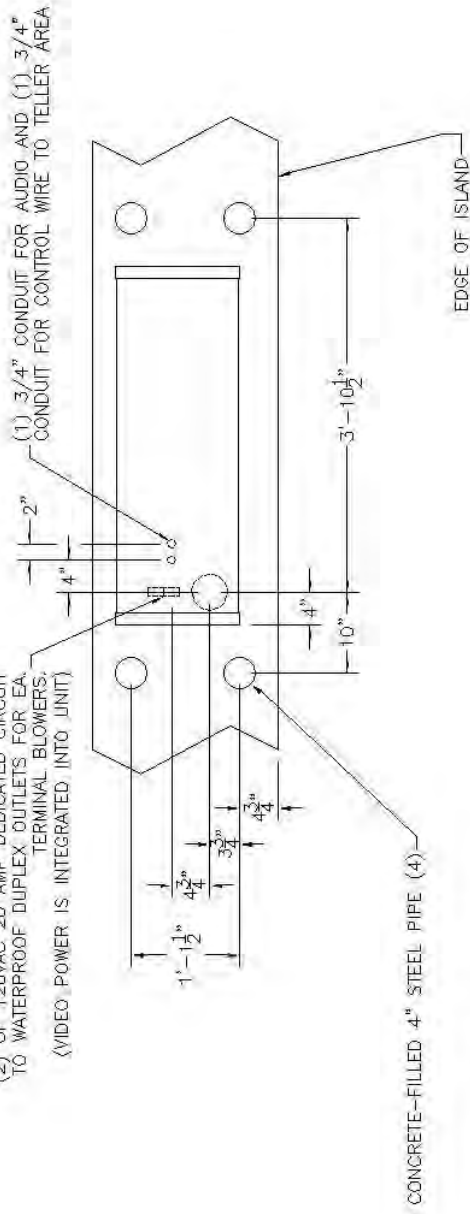
MODEL 521 PNEUMATIC TUBE SYSTEMS
 TYPICAL LAYOUTS
 2 LANE ECHELON PLAN

COMCO *Spears* LAKE DALLAS, TEXAS
 (800) 533-3794

DATE	08-21-98	DESIGNED	NTS	DRAWN	SJM	APPROVED	0520006
FILE #							EXTERNAL\521\0520006

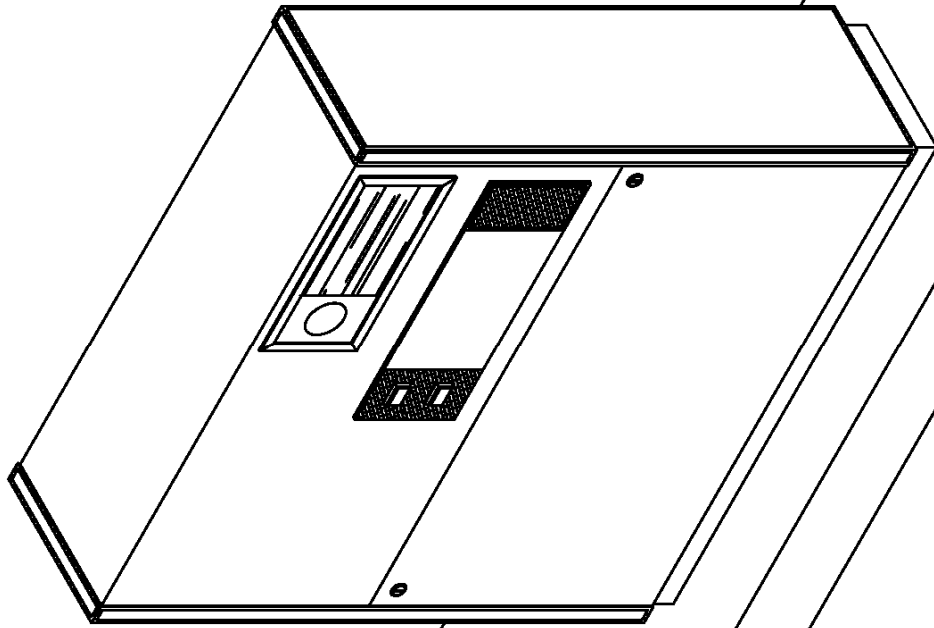
THIS DOCUMENT IS THE PROPERTY OF COMCO SYSTEMS AND ITS USE IS AUTHORIZED ONLY FOR RESPONDING TO A REQUEST FOR DESIGN OR SUBMITTAL OF TUBE SYSTEMS AND ITS COMPONENTS AND IS NOT FOR CONSTRUCTION OR DISTRIBUTION. COMCO SYSTEMS COMPONENTS REPRESENTED IN THIS DOCUMENT ARE PROTECTED BY ONE OR MORE OF THE FOLLOWING PATENTS: DES272076, 4180354, 4971481, 4984939, 5584613, 6039510, 6592302B2. OTHER PATENTS PENDING

(2) OF 120VAC 20 AMP DEDICATED CIRCUIT TO WATERPROOF DUPLEX OUTLETS FOR EACH TERMINAL BLOWERS. (VIDEO POWER IS INTEGRATED INTO UNIT)



MODEL 660/880 PNEUMATIC TUBE SYSTEMS
680TV CUSTOMER UNIT
DETAILS

		LAKE DALLAS, TEXAS	
(800) 533-3794	DRAWN BY BIGB	APPROVED BY	DRAWING NO. 0680041
FILE NEXTernal\880\0680041.DWG	SCALE NTS	DATE 12-07-98	PROJECT NO.



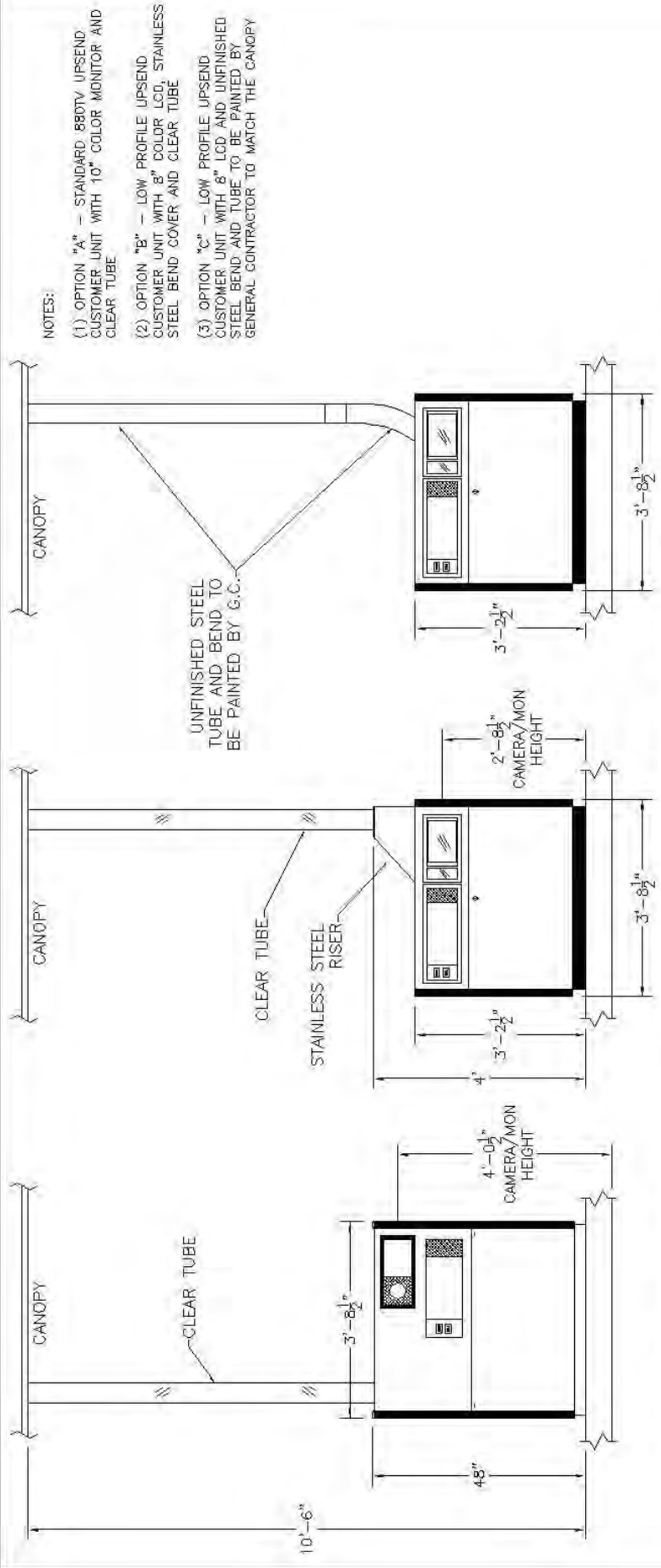
MODEL 660/880 PNEUMATIC TUBE SYSTEMS
680TV CUSTOMER UNIT
-ISO VIEW



11120 INDIAN TRAIL DALLAS, TEXAS 75229

DATE	REVISED BY	APPROVED BY	ISSUED BY
12-07-98	NTS	EDS	068004D

FILED \\EXTERNAL\880\0680040.DWG



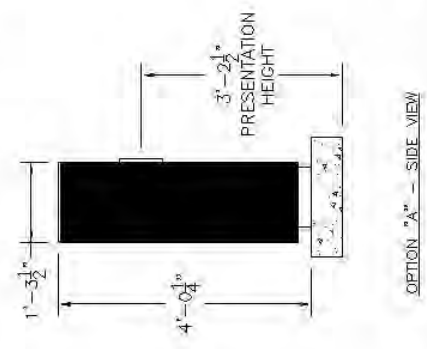
NOTES:

- (1) OPTION "A" - STANDARD 880TV UPSEND CUSTOMER UNIT WITH 10" COLOR MONITOR AND CLEAR TUBE
- (2) OPTION "B" - LOW PROFILE UPSEND CUSTOMER UNIT WITH 8" COLOR LCD, STAINLESS STEEL BEND COVER AND CLEAR TUBE
- (3) OPTION "C" - LOW PROFILE UPSEND CUSTOMER UNIT WITH 8" LCD AND UNFINISHED STEEL BEND AND TUBE TO BE PAINTED BY GENERAL CONTRACTOR TO MATCH THE CANOPY

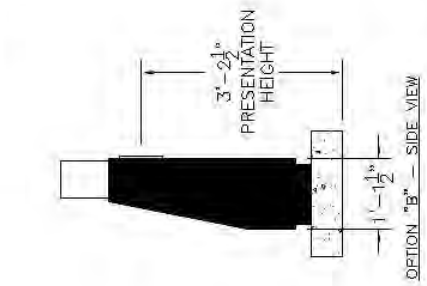
OPTION "A" - 880TV WITH 10" MONITOR

OPTION "B" - 880TV-LP WITH 8" MONITOR AND STAINLESS STEEL BEND COVER

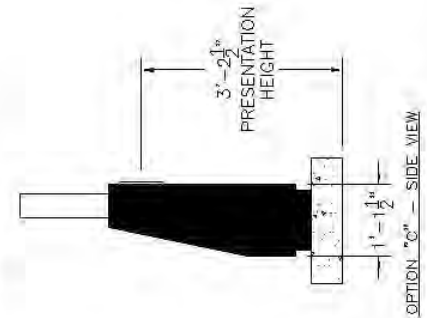
OPTION "C" - 880TV-LP WITH 8" MONITOR (EXPOSED BEND AND TUBE TO BE PAINTED BY G.C.)



OPTION "A" - SIDE VIEW



OPTION "B" - SIDE VIEW



OPTION "C" - SIDE VIEW

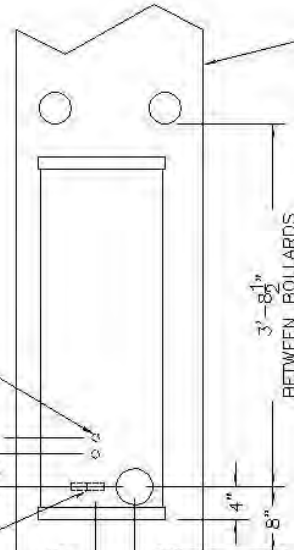
MODEL 660/880 PNEUMATIC TUBE SYSTEMS
OVERHEAD CUSTOMER UNIT
DETAILS



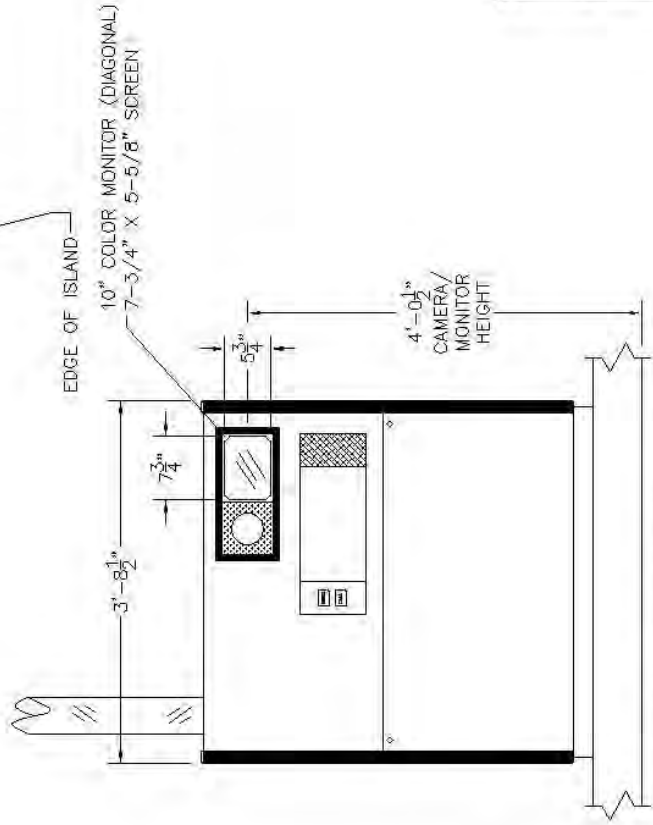
(800) 533-3794
LAKE DALLAS, TEXAS
DRAWN BY: BOB
APPROVED BY: [Signature]
DRAWING NO: 0680067

FILE: NEXTERNAL\880\0680067.DWG

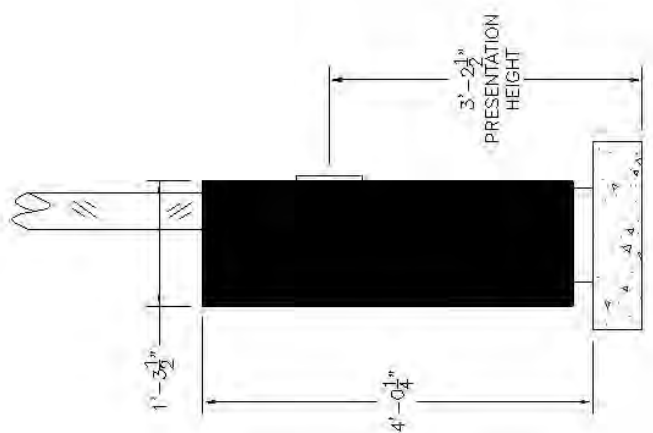
(2) OF 120VAC 20 AMP DEDICATED CIRCUIT TO WATERPROOF DUPLEX OUTLETS FOR EA. TERMINAL BLOWERS. (VIDEO POWER IS INTEGRATED INTO UNIT)



CONCRETE-FILLED 4" STEEL PIPE (4)



880TV RIGHT HAND UNIT WITH 10" COLOR MONITOR

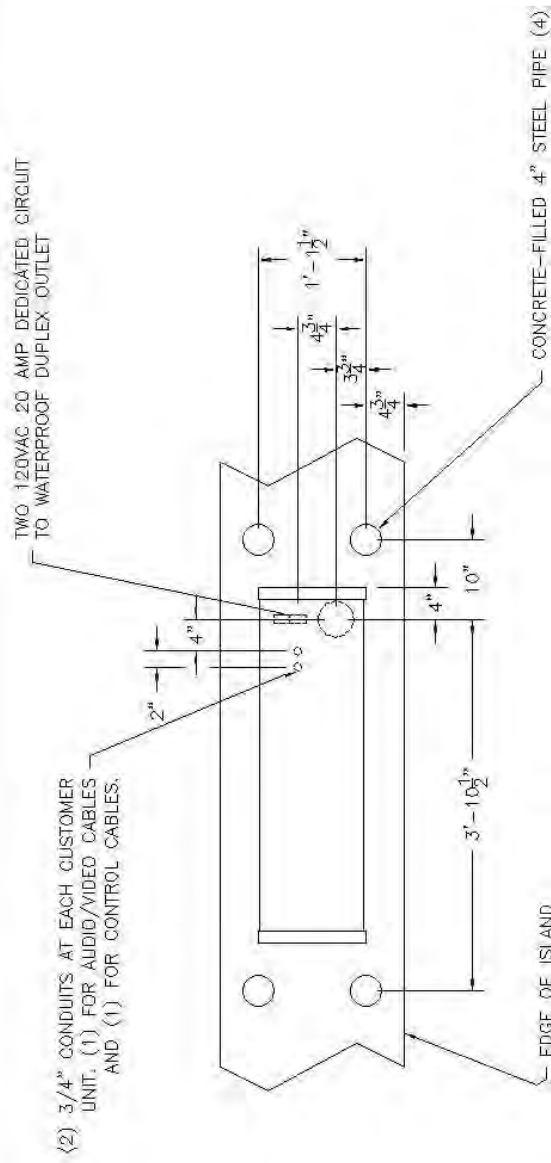


MODEL 660/880 PNEUMATIC TUBE SYSTEMS
680TV RIGHT HAND CUSTOMER UNIT
DETAILS

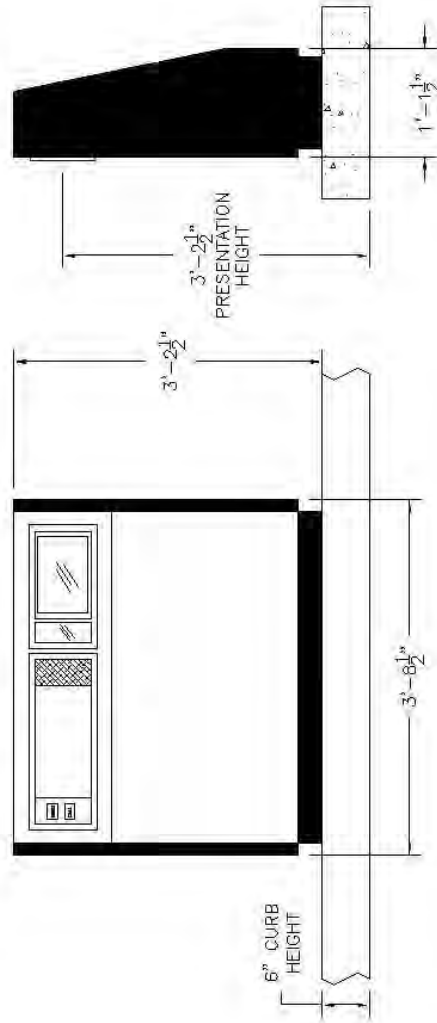
EntoCo Systems
LAKE DALLAS, TEXAS

(800) 533-3794

DATE 12-07-98	SCALE NTS	APPROVAL BY BCB	DRAWING NO. 06800066
FILE NEXTernal\880\06800066.DWG			



FOOTPRINT: 680TV-LP CUSTOMER UNIT



680TV-LP CUSTOMER UNIT WITH 6.4" LCD COLOR DISPLAY

MODEL 680/880 PNEUMATIC TUBE SYSTEMS
 680LP-TV CUSTOMER UNIT
 DETAILS

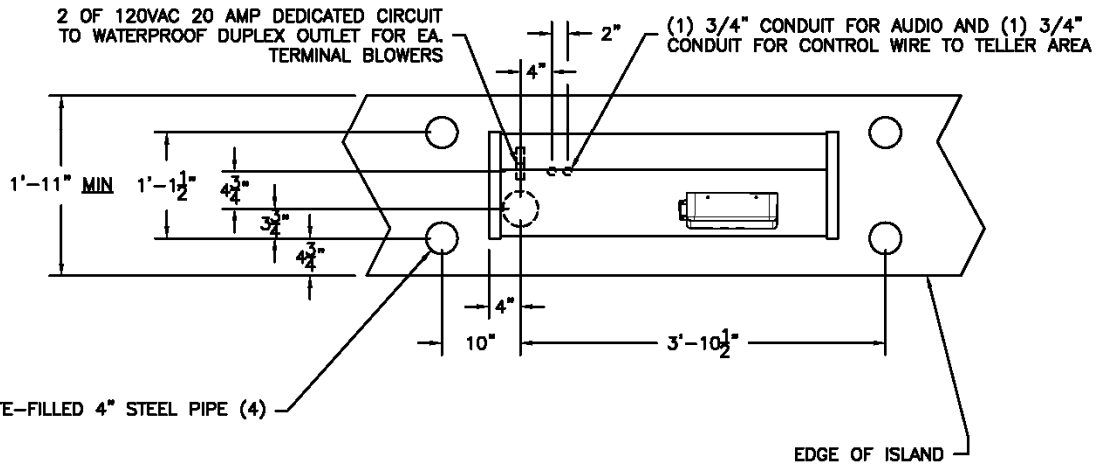


LAKE DALLAS, TEXAS

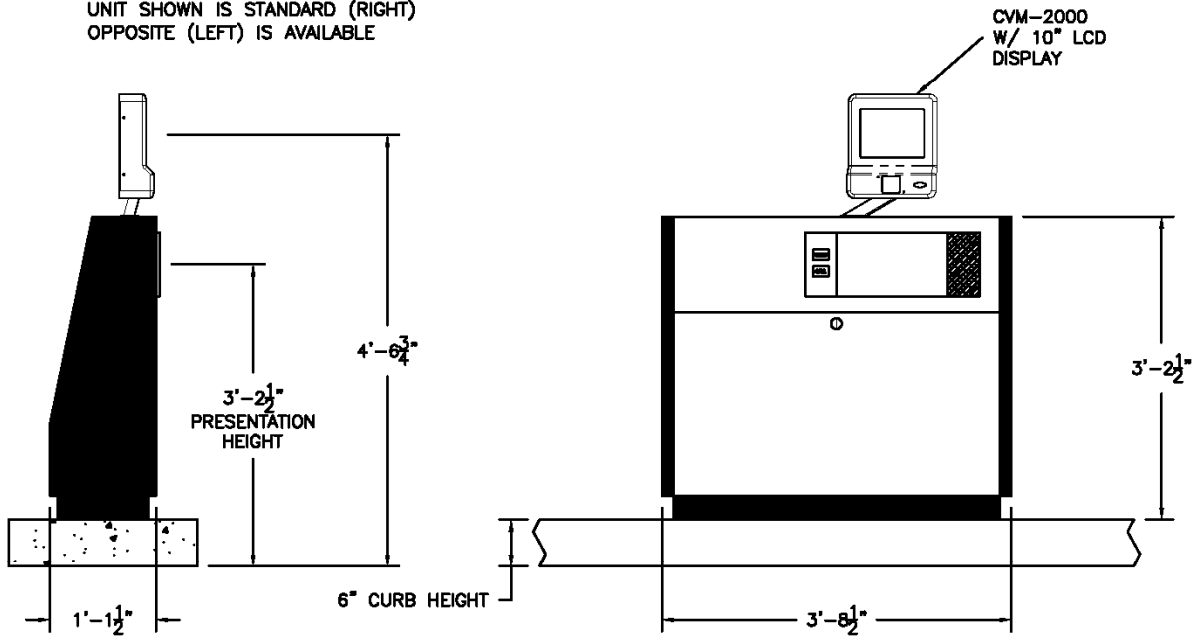
(800) 593-3794

DATE: 10-24-01
 SCALE: NTS
 DRAWN BY: BGB
 APPROVED BY: 10680063

FILE: \\INTERNAL\880\0680063.DWG



UNIT SHOWN IS STANDARD (RIGHT)
OPPOSITE (LEFT) IS AVAILABLE



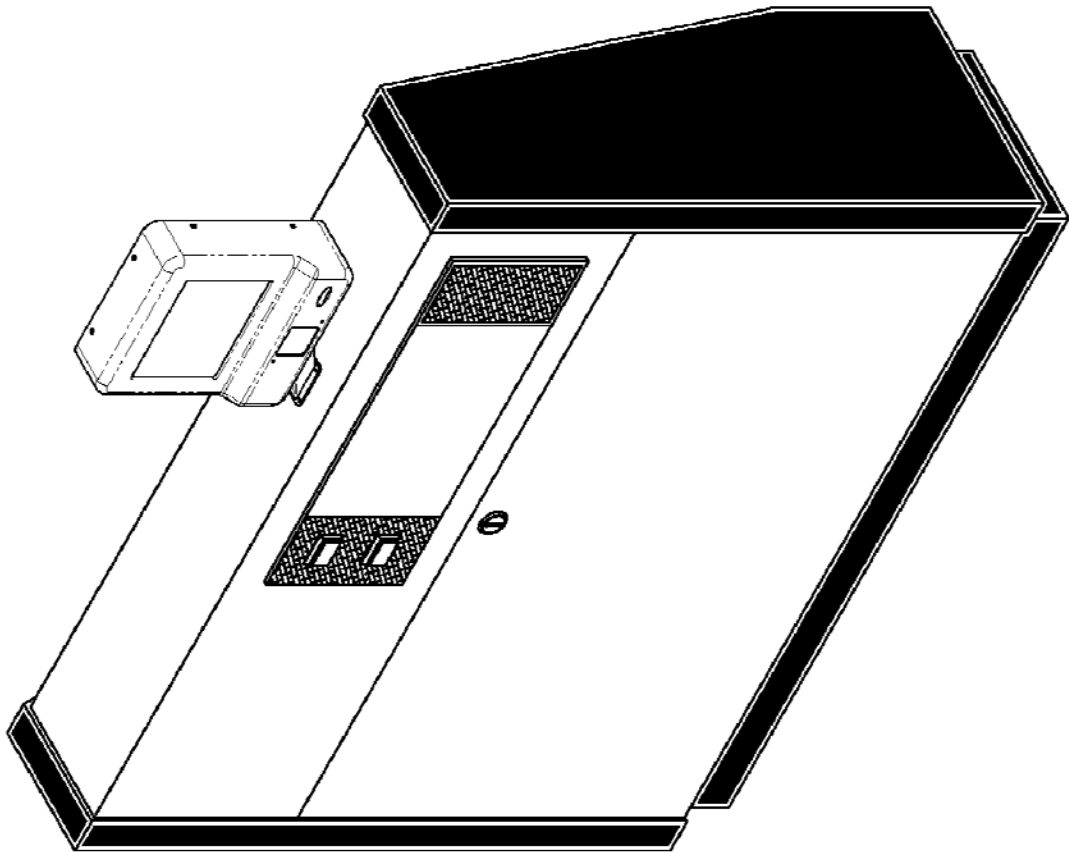
660/880 PNEUMATIC TUBE SYSTEMS
STANDARD CUSTOMER UNIT W/CVM
(4.0 OR 4.5) DETAILS

Cmc Systems

11120 INDIAN TRAIL DALLAS, TEXAS 75229

DATE 12-15-98	SCALE NTS	DRAWN BY JGB	APPROVED BY	DRAWING # 0680042
------------------	--------------	-----------------	-------------	----------------------

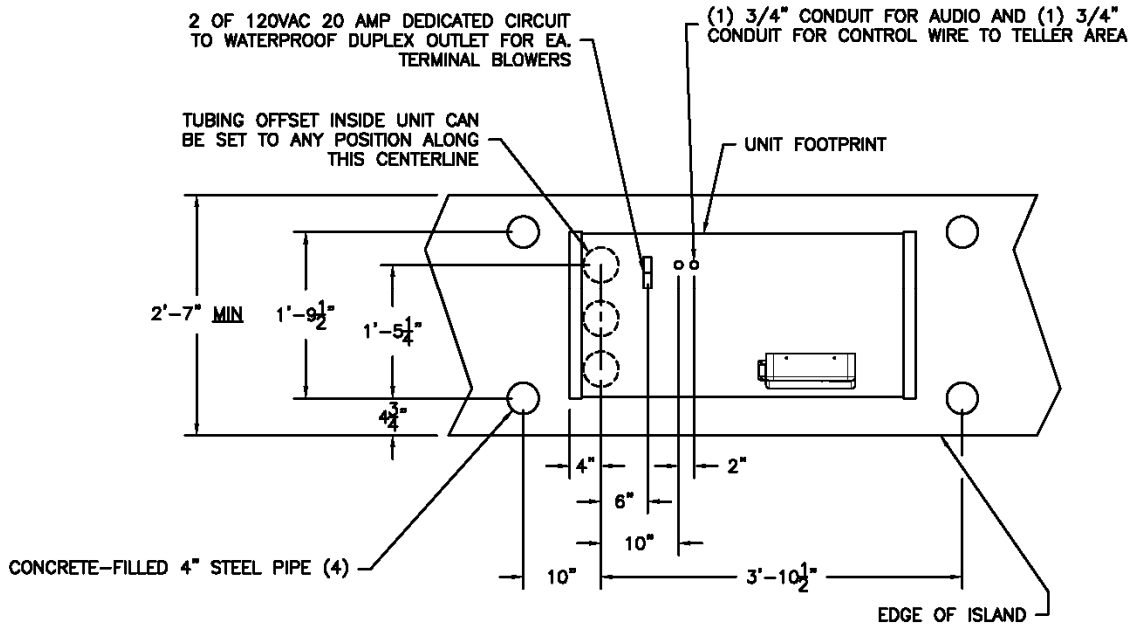
FILE
EXTERNAL\880\0680042.DWG



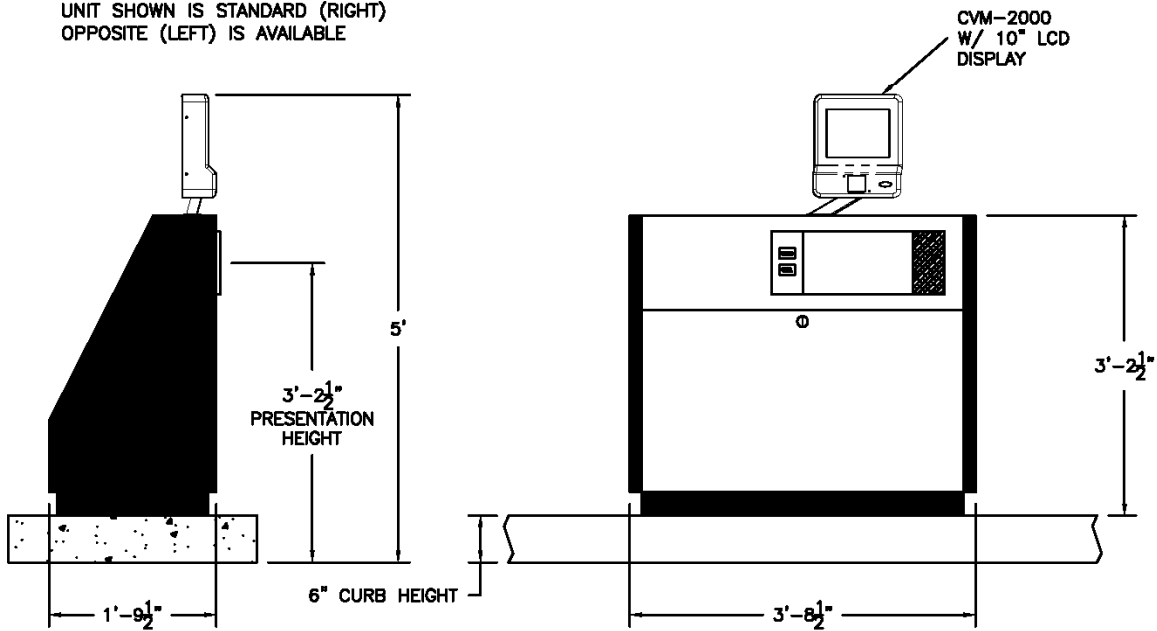
THIS DOCUMENT IS THE PROPERTY OF COMCO SYSTEMS AND ITS USE IS AUTHORIZED ONLY FOR RESPONDING TO A REQUEST FOR DESIGN OR SUBMITTAL OF TUBE SYSTEMS AND ITS COMPONENTS AND IS NOT FOR CONSTRUCTION OR DISTRIBUTION. COMCO SYSTEMS COMPONENTS REPRESENTED IN THIS DOCUMENT ARE PROTECTED BY ONE OR MORE OF THE FOLLOWING PATENTS: DES272076, 4180354, 4971481, 4984539, 5584513, 6039510, 6592302B2. OTHER PATENTS PENDING.

660/880 PNEUMATIC TUBE SYSTEMS
STANDARD CUSTOMER UNIT w/CVM
-ISO VIEW

Comco Systems		LAKE DALLAS, TEXAS	
(800) 533-3794		DRAWING # D6860043	
REV. 12-15-98	SCALE NTS	DATE DDC	PROJECT
EXTERNAL \660\0660043			



UNIT SHOWN IS STANDARD (RIGHT)
OPPOSITE (LEFT) IS AVAILABLE



**660/880 PNEUMATIC TUBE SYSTEMS
RETROFIT CUSTOMER UNIT W/CVM
(4.0 OR 4.5) DETAILS**

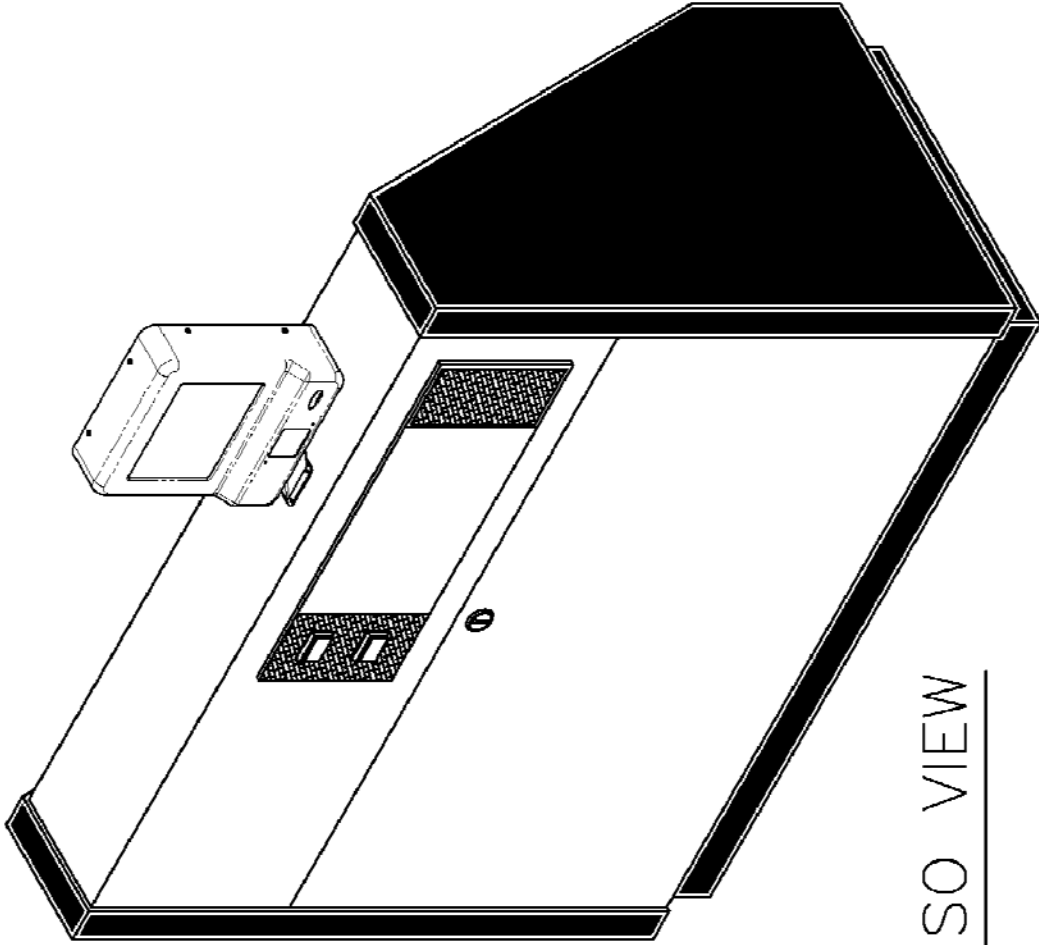


11120 INDIAN TRAIL DALLAS, TEXAS 75229

DATE 12-22-98	SCALE NTS	DRAWN BY BGB	APPROVED BY	ISSUE NO. 0680044
------------------	--------------	-----------------	-------------	----------------------

FILED
\\EXTERNAL\880\0680044.DWG

REF.# 0680044



—ISO VIEW

THIS DOCUMENT IS THE PROPERTY OF COMCO SYSTEMS AND ITS USE IS AUTHORIZED ONLY FOR RESPONDING TO A REQUEST FOR DESIGN OR SUBMITTAL OF TUBE SYSTEMS AND ITS COMPONENTS AND IS NOT FOR CONSTRUCTION OR DISTRIBUTION. COMCO SYSTEMS COMPONENTS REPRESENTED IN THIS DOCUMENT ARE PROTECTED BY ONE OR MORE OF THE FOLLOWING PATENTS: JES272076, 4180354, 4971481, 4984939, 5584613, 6039510, 6592302B2. OTHER PATENTS PENDING.

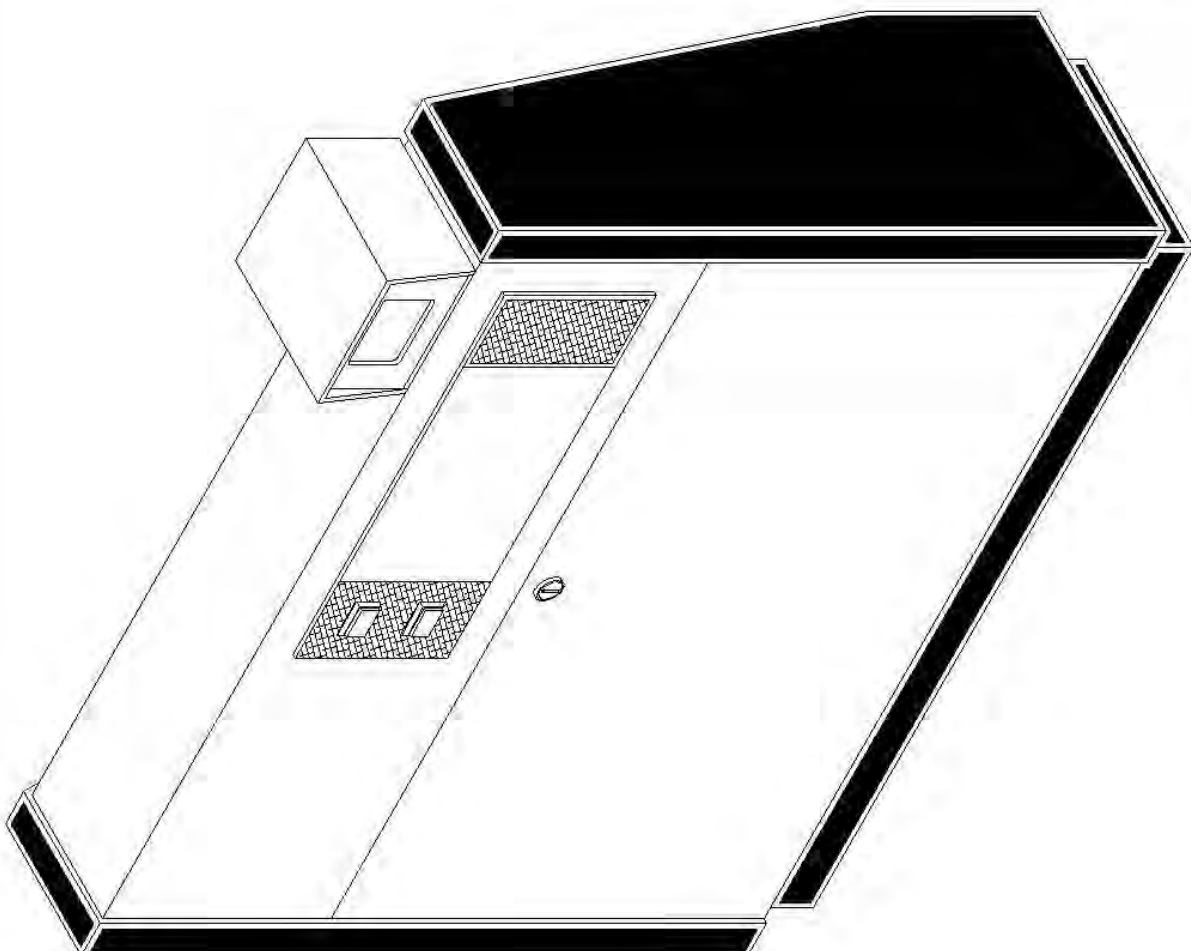
660/880 PNEUMATIC TUBE SYSTEMS
RETROFIT CUSTOMER UNIT w/CVM
—ISO VIEW



(800) 533-3794 LAKE DALLAS, TEXAS

REV	SCALE	NTS	DOC	REVISED	ISSUED
12-15-98					0680044

FILED
EXTERNAL\880\0680044



560/800 PNEUMATIC TUBE SYSTEMS
CUSTOMER UNIT WITH CAMERA OPTION
TYPICAL - ISO VIEW

CityCo Systems
11120 INDIAN TRAIL DALLAS, TEXAS 75229

DATE 01-22-97	SCALE NTS	DRAWN BY EDS	APPROVED BY 0680011
------------------	--------------	-----------------	------------------------

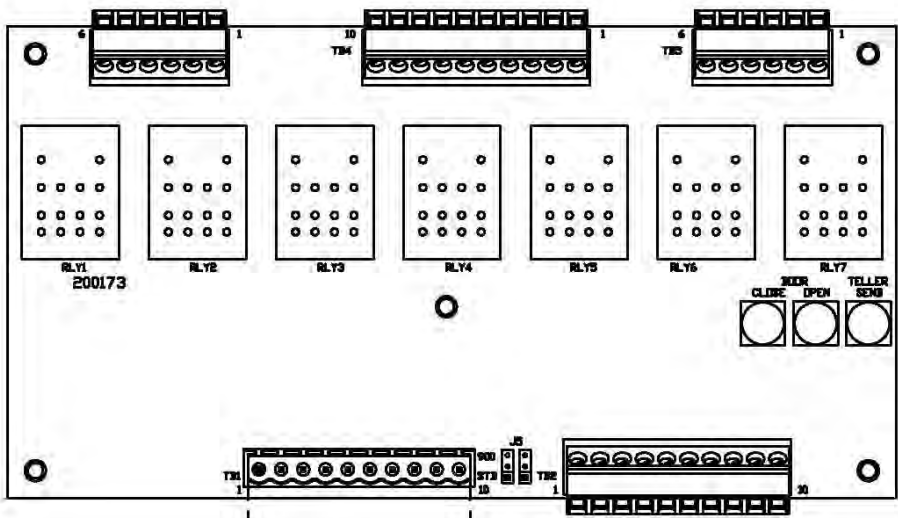
FILED
\\EXTERNAL\880\0680011.DWG

- NOTES (UNLESS OTHERWISE SPECIFIED):
1. REMOVE ALL BURRS AND SHARP EDGES.
 2. DIMENSIONS APPLY BEFORE FINISHING.
 3. ALL THREADED SURFACES ARE TO BE PAINT-FREE.

REVISIONS

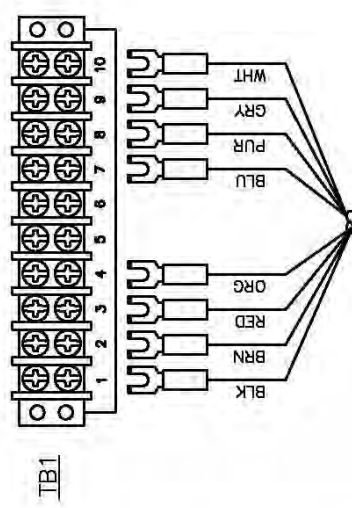
REV	DESCRIPTION / REFERENCE	DATE	BY:
INC	INITIAL RELEASE	09-20-2000	JIB
A	REVISED DRAWING, CHANGED FROM TERMINAL STRIPS TO PHOENIX CONN	04-02-2007	BLB

PRINTED CIRCUIT CONTROLLER BOARD



10 CONDUCTOR/18 GA CABLE

#0 & #3 TELLER UNIT I/S



680 CUSTOMER UNIT I/S

FIELD WIRING, 680 SYSTEM WITH #0 & #3 TU

DOCUMENT NO	500080	REVISION PAGE	A 1 of 1	SCALE	1=1	SHEET	A
FILE	INTERNAL:SOOKA_500080.DWG						

TOLERANCES
 UNLESS SHOWN OTHERWISE
 ANGLES = 30.000
 DIMENSIONS = 30.000
 HOLE DIA = 30.000

CONCO SYSTEMS
 (800) 533-3794
 LAKE DALLAS, TX

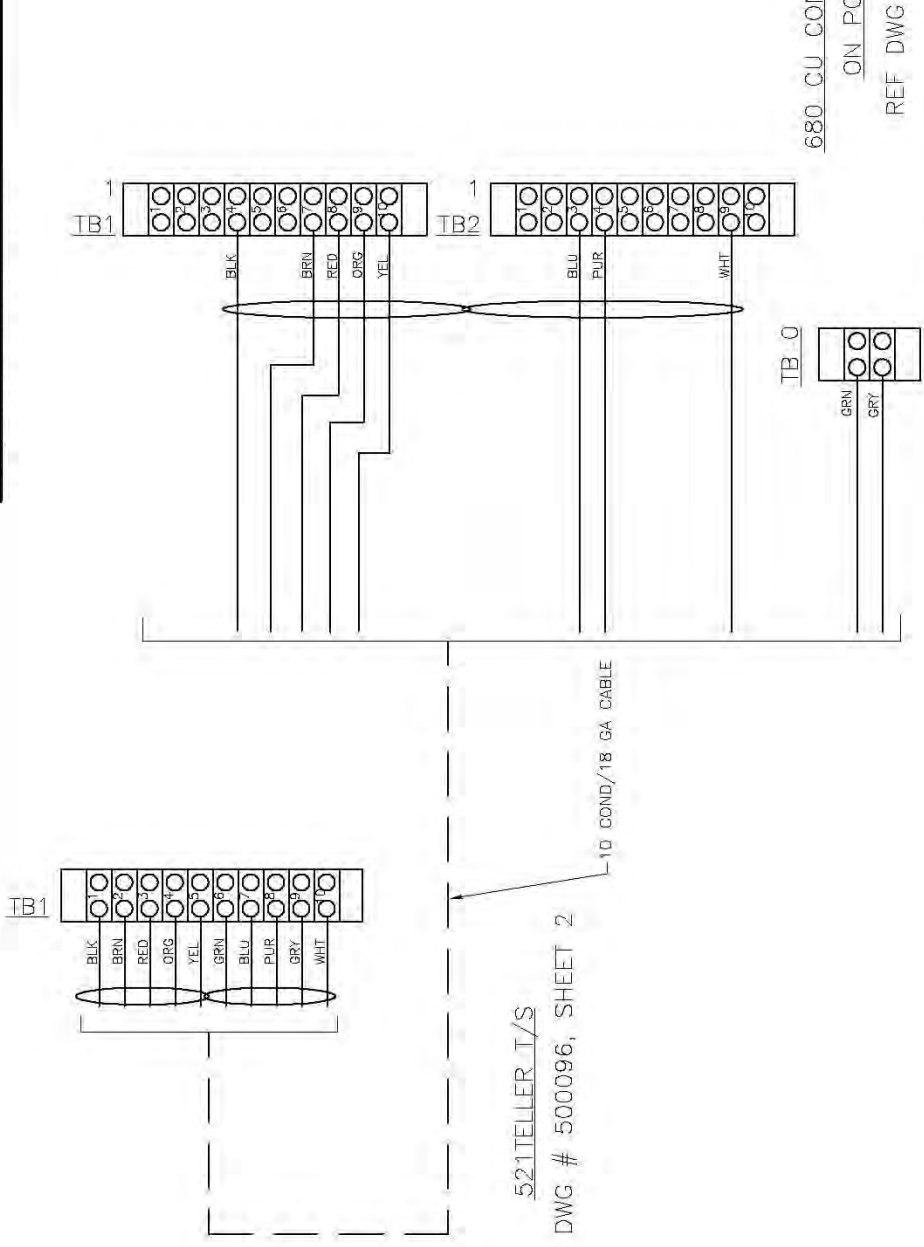
NOTICE: The information in this document is the property of CONCO SYSTEMS and may not be copied, used, or disclosed to third parties without express written permission.

ITEM	M/P	DESCRIPTION / REFERENCE	QTY	P/N
MATERIAL/FINISH SCHEDULE				

NOTES: (UNLESS OTHERWISE SPECIFIED)

REVISIONS

REV	DESCRIPTION	DATE	REV BY:
—	INITIAL RELEASE	03-08-01	—
A	ADDED RELAY	06-13-01	BGB
B	PROVIDED TB 0 FOR FIELD WIRES	05-17-02	JB



521TELLER T/S
REF DWG # 500096, SHEET 2

680 CU CONTROLLER T/S
ON PC BOARD
REF DWG # 500060

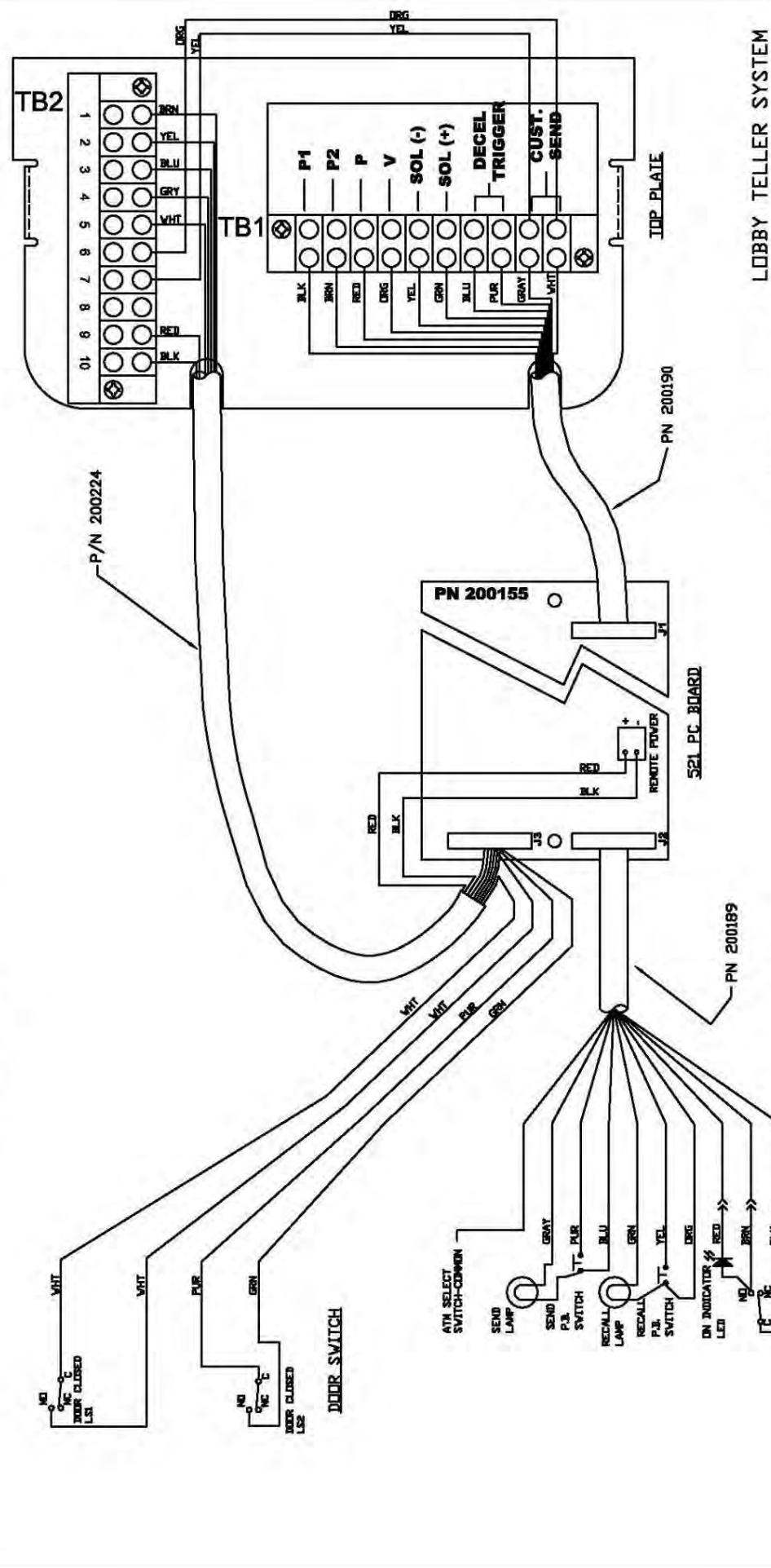
MASTER CONTROLLER WIRING

NOTE: SYSTEM TIMER ADJUSTMENTS
1. T1 AT CUSTOMER UNIT — SET FOR 5 SECONDS LONGER THAN THE TIME REQUIRED TO SEND A LOADED (3 LBS) CARRIER FROM THE TELLER TO CUSTOMER UNIT.

MATERIAL		FINISH	
TOLERANCE ON DIMENSIONS: .XX = ±.01 .XXX = ±.004		DRAWN	JB 03-DB-01
HOLE DIAMETERS: +.001 TO +.002 OVER .500 = +.006, -.003		CHECKED	
ANGLES: ±1.0°		USED ON	680
CONVERSION: INCHES TO MILLIMETERS ON A COMMON BASIS TO BE .010"		NOTES: THIS DRAWING AND SPECIFICATIONS are the property of COMCO SYSTEMS. These drawings and specifications may not be reproduced, copied, or used as the basis for written permission.	
COMCO SYSTEMS (800) 533-3794 LAKE DALLAS, TX		FIELD WIRING— 680 CU TO 521 TU	
SCALE	NTS	SIZE	DRAWING NUMBER
		A	500091
REV			B
FILE: INTERNAL\500K\500091.DWG			

REV	DESCRIPTION	DATE	REV BY
	INITIAL RELEASE	01-30-01	
A	REVISED FOR SEI REV G BOARD	10-11-2002	
B	ADDED CIRCUIT FOR DUAL TELLER	09-05-2003	JDD
C	ADDED CIRCUIT FOR SEI V / ATM	09-15-03	JB
D	ADDED CIRCUIT LAYOUT FOR SEI W/ SINGLE BUTTON LIFT STATION	07-05-2005	JDD

- ASSEMBLY NOTES:**
- ADD A 10-POSITION TERMINAL STRIP TO TOP PLATE AS SHOWN
 - ADD ORANGE AND YELLOW WIRE BETWEEN TB1 & TB2 AS SHOWN
 - ADD LABELS TB1 & TB2 AS SHOWN
 - ADD CABLE ASSEMBLY 200224 TO TB2 AS SHOWN
 - REMOVE CABLE ASSEMBLY 200187 FROM TELLER UNIT & ATTACH THE CABLE ASSEMBLY 200224 TO J3 ON PC BOARD
 - PLACE SHUNTING JUMPERS ON J4, J5, J6, & J7 IN THE "LT" POSITION
 - SWAP WIRES ON THE SEND AND RECALL SWITCHES
 - PC BOARD 400042 REV E OR LATER MUST BE USED



LOBBY TELLER SYSTEM

WIRING DIAGRAM
521 TU

DRAWN	REV	01-30-01	FILE	INTERNAL\USA\2005\521
CHECKED				
APPROVED	USED IN	521 TU		
NEXT ASST				
DATE PRINTED	01-30-01			
SCALE	1:1			

500096
 SHEET 3 OF 8

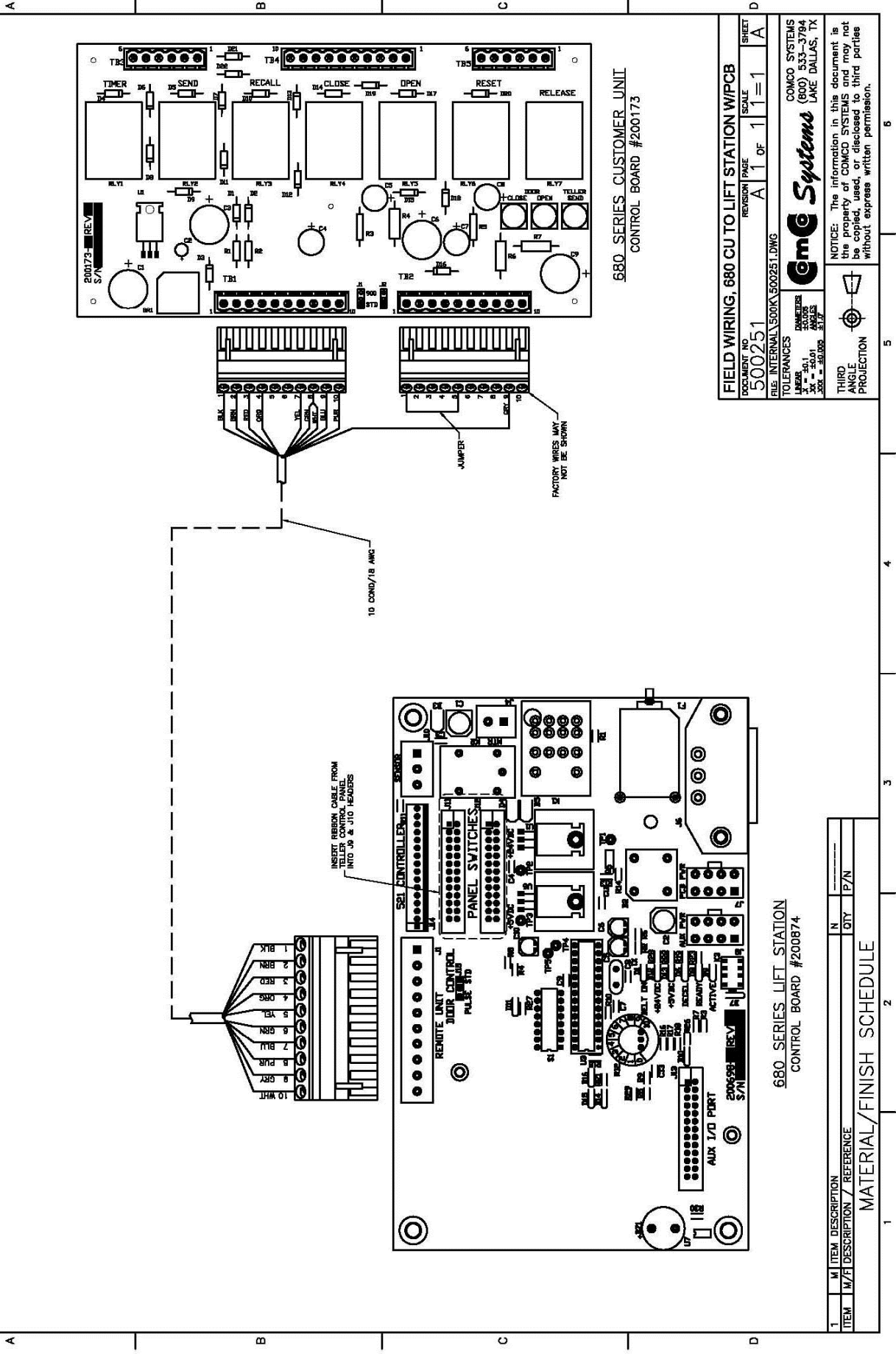
REF: FIELD WIRING DWG 500076

NOTED: These drawings and specifications are the property of CUBED SYSTEMS. These drawings and specifications may not be reproduced, copied or used as the basis for any other project without the written permission of CUBED SYSTEMS.

NOTES (UNLESS OTHERWISE SPECIFIED):
 1. REMOVE ALL BURRS AND SHARP EDGES.
 2. DIMENSIONS APPLY BEFORE FINISHING.
 3. ALL THREADED SURFACES ARE TO BE PAINT-FREE.

REVISIONS

REV	DESCRIPTION / REFERENCE	DATE:	BY:
NC	INITIAL RELEASE	06-01-2005	JDD
A	UPDATED TO NEW LIFT STATION BOARD	07-27-2010	BLB



FIELD WIRING, 680 CU TO LIFT STATION W/PCB
 DOCUMENT NO. 500251
 SCALE 1 OF 1 = 1
 SHEET A

FILE: INTERNAL\500K\500251.DWG
 TOLERANCES
 DIM. ±.01
 ANGLES ±.0050
 SURF. ±.0000

COMCO Systems
 COMCO SYSTEMS
 (600) 533-3794
 LAKE DALLAS, TX

NOTICE: The information in this document is the property of COMCO SYSTEMS and may not be copied, used, or retransmitted in third parties without express written permission.

THIRD ANGLE PROJECTION

680 SERIES LIFT STATION
 CONTROL BOARD #200874

ITEM	M/F	DESCRIPTION / REFERENCE	N	QTY	P/N
MATERIAL/FINISH SCHEDULE					

REPLACEMENT PARTS LIST MODEL 660/880

Large Roller Limit Switch	612201
Small Roller Limit Switch	612202
3M154 110v Door Motor	607601
Send Push Button	612208
4M903 Blower Motor 880	601003
2M903 Blower Motor 660	601001
Mercury Switch	612213
Send Recall Rocker Switch	612205
110v Contactor	603201
14 Pin AC Relay	609809
11 Pin AC Relay	609810
Dispatch Springs	400269-1 400269-2
14 Pin Timer	612604